



 澳柯
AOKE

 AOKE
EUROPE

 AOKE
Southeast Asia





06 / Company profile AOKE China

08 / Company profile AOKE Europe

10 / Single motor desk series

14 / Dual motor desk series

26 / Triple motor desk series

34 / Bench desk series

44 / Crank desk series

50 / Desk risers

54 / Chairs

60 / Accessories

69 / Parts



AOKE Office equipment CO. Ltd. A company, founded in 2012, is specialized in manufacturing linear actuators, lifting columns, height adjustable desks and some more other ergonomic desk accessories for 8 years.

With a strict commitment to “Green, Health and Comfort”, AOKE devotes to supplying only the highest quality products at competitive prices, together backed reputable service to our clients. By doing so we hope to empower people to love a more health conscious workplace.

Following our quick expansion, AOKE included two additional branches – one in the Netherlands and the other is located in Thailand - in order to provide a better overall customer experience and service.

**With a strict commitment to “Green, Health and Comfort”,
AOKE devotes to supplying only the highest quality products at competitive prices.**

The 45.000 square meter factory and professional equipment including advanced laser cutting technology and advanced powder painting machines ensures exceptionally high levels of productivity and operational efficiency. The inspection department safeguards quality while the sophisticated R&D department continuously innovates and has developed many unique patents. The products are best in class quality and are backed by CE, UL962, BIFMA FCC, ROHS, EN527, EMC, CAS, SAA, CB certifications.

Company profile AOKE China



Transport times from China to Europe are often longer than desired and for this reason AOKE Europe B.V. was established at the end of 2016. The company is located in the south of the Netherlands, in Echt. Logistically speaking, this is an ideal location for fast service to customers throughout Europe. AOKE Europe B.V. is specialized in distributing height-adjustable desk frames to wholesalers, retailers, architects or other companies located throughout Europe.

At the start of the company in 2016, the company first supplied only height-adjustable desk frames. But due to the increasing demand for other products by customers, this product range has been expanded. Today, the company also distributes chairs, table tops and other office furniture.

Within the company, customer focus and the delivery of quality products are of paramount importance.

In 2018 the company had its first relocation, the location where it all started became quickly too small. As a result, AOKE Europe B.V. had to move to a new location. At this new and current location, the company has a warehouse of 2.400m² at its disposal.

The company was founded with the focus to delivering European customers faster and to guarantee a better service. Due to the storage location in the Netherlands, the products can usually be delivered throughout Europe within five working days. Within the company, customer focus and the delivery of quality products are of paramount importance. Most products come with a 5-year warranty. Not only on some parts, but on the complete product. This warranty period is given because only high quality products are supplied. The high quality of our products is demonstrated by the fact that different certificates are available for different models and products, such as CE, EN527, RoHS, BIFMA, UL, EMC and many more.

Since 2016, the company's exports have grown particularly rapidly. While our products were distributed in only 5 European countries in 2016, this has grown to a total of 28 European countries over the past 3 years. Every day we look for new collaborations and long-term business relationships in order to make high quality height adjustable desks available to everyone. Of course not only in Europe, with the entire AOKE team we pursue this objective worldwide.

Company profile AOKE Europe B.V.

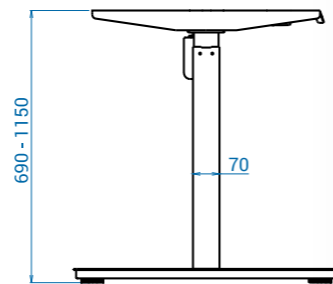
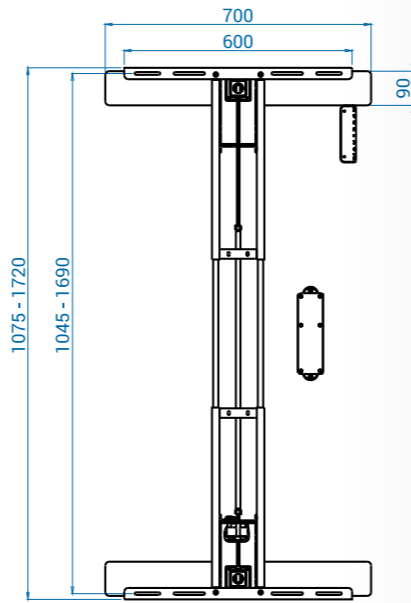
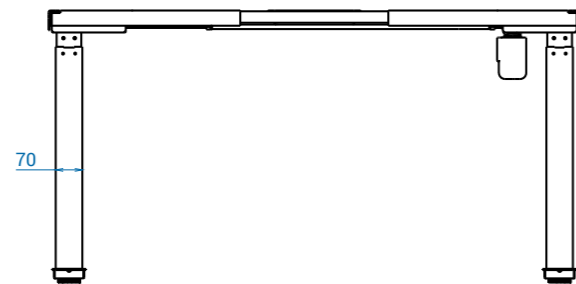


12 / AK02YJYT-A-F

Single motor desk series



■ Product dimensions



■ Parameters

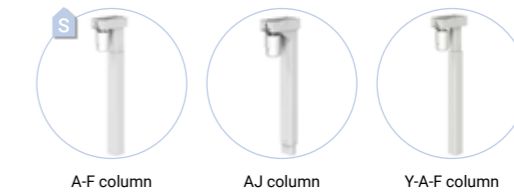
- Leg orientation : square
- Height adjustable range : 690 - 1150 mm
- Frame adjustable size : 1075 - 1720 mm
- Table top bracket : 600 mm
- Foot length : 700 mm
- Max. lifting capacity : 100 kg
- Max. speed : 25 mm/s
- Noise level : 50 dB
- Input : 110 - 230V
- Warranty period : 5 years
- Available in :
 - black (RAL 9005)
 - white (RAL 9010)
 - aluminum (RAL 9006)

■ Packing information

- Dimensions : 1075 (l) * 315 (w) * 245 (h) mm
- Net weight : 27,6 kg
- Gross weight : 29,6 kg
- Container quantities :
 - : 20 GP / 256 sets
 - : 40 GP / 576 sets
 - : 40 HC / 648 sets

■ Notes

■ Column options



■ Handset options



■ Accessories



S = Standard included in EU stock products

Single motor desk frame
AK02YJYT-A-F



16 / AK2YJYT-YDZF3-HE

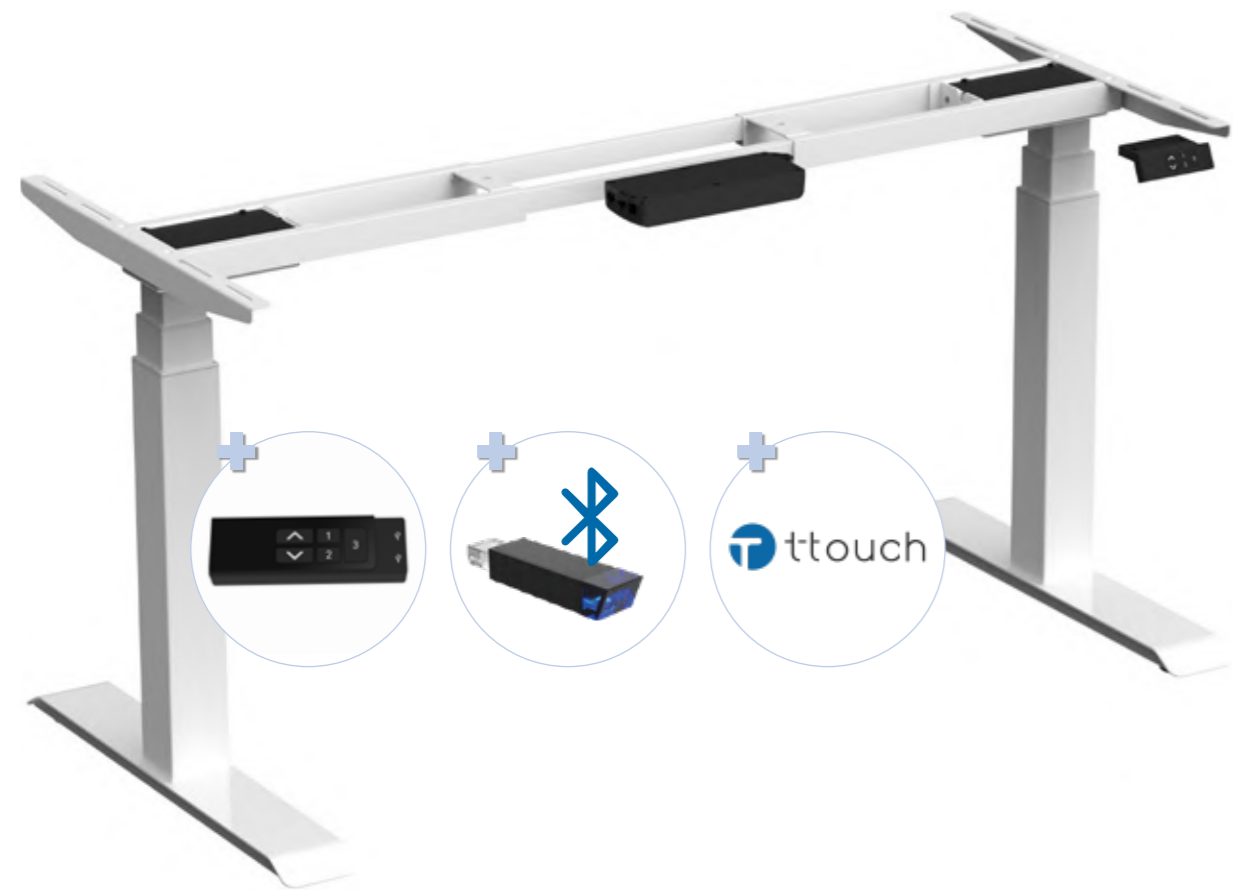
18 / AK2YJYT-YZB3-BM

20 / AK2YJRT-ZF3

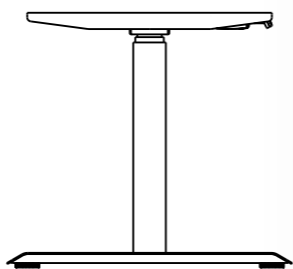
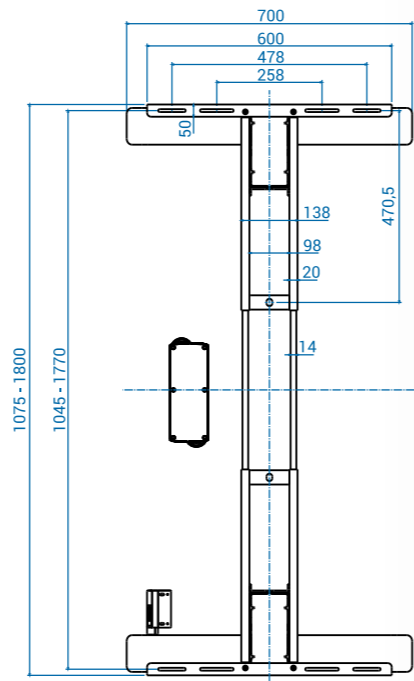
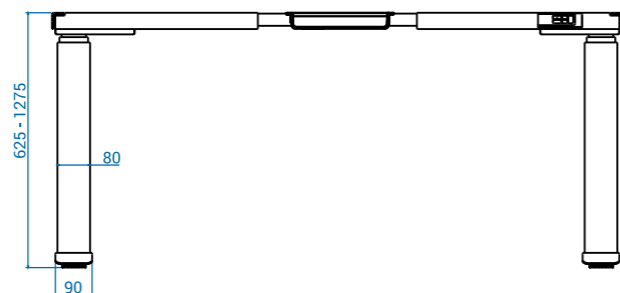
22 / AK2YJRT-ZB3

24 / AK2YJRT-DB3

Dual motor desk series



■ Product dimensions



■ Parameters

- Leg orientation : square
- Height adjustable range : 625 - 1275 mm
- Frame adjustable size : 1075 - 1800 mm
- Table top bracket : 600 mm
- Foot length : 700 mm
- Max. lifting capacity : 120 kg
- Max. speed : 40 mm/s
- Noise level : <45 dB
- Input : 110 - 230V
- Warranty period : 5 years
- Anti-collision type : T-touch (gyroscope)
- Available in :
 - black (RAL 9005)
 - white (RAL 9010)
 - aluminum (RAL 9006)

■ Packing information

- Dimensions : 1075 (l) * 315 (w) * 220 (h) mm
- Net weight : 32,5 kg
- Gross weight : 34,5 kg
- Container quantities :
 - : 20 GP / 288 sets
 - : 40 GP / 648 sets
 - : 40 HC / 720 sets

■ Notes

■ Column options



■ Handset options



■ Accessories

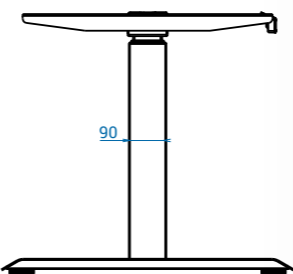
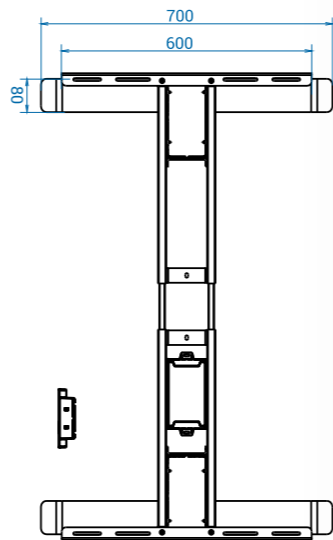
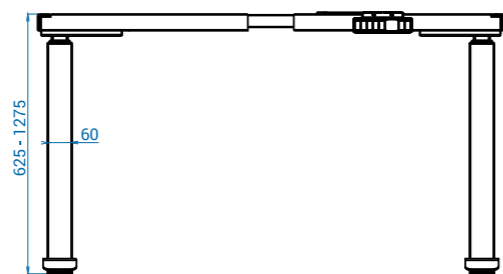


S = Standard included in EU stock products

Dual motor desk frame
AK2YJYT-YDZF3-HE



■ Product dimensions



■ Parameters

- Leg orientation : rectangular
- Height adjustable range : 625 - 1275 mm
- Frame adjustable size : 1075 - 1800 mm
- Table top bracket : 600 mm
- Foot length : 700 mm
- Max. lifting capacity : 80 kg
- Max. speed : 40 mm/s
- Noise level : <45 dB
- Input : 110 - 230V
- Warranty period : 2 years
- Anti-collision type : gyroscope
- Available in :
 - black (RAL 9005)
 - white (RAL 9010)
 - aluminum (RAL 9006)

■ Packing information

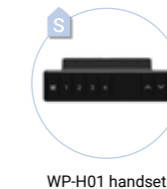
- Dimensions : 1075 (l) * 315 (w) * 220 (h) mm
- Net weight : 30 kg
- Gross weight : 32,5 kg
- Container quantities :
 - : 20 GP / 288 sets
 - : 40 GP / 648 sets
 - : 40 HC / 720 sets

■ Notes

■ Column options



■ Handset options



■ Accessories

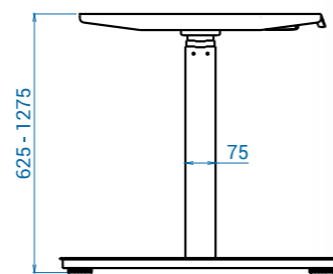
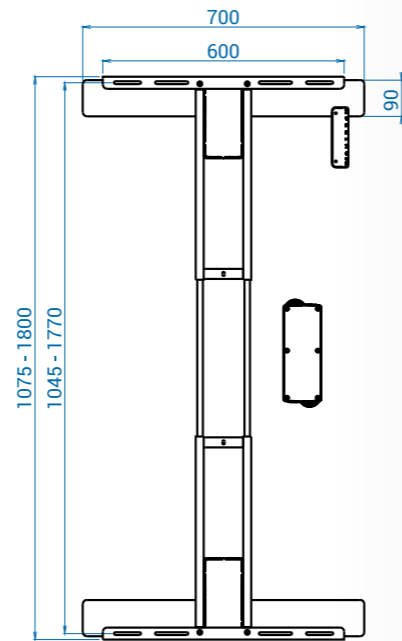
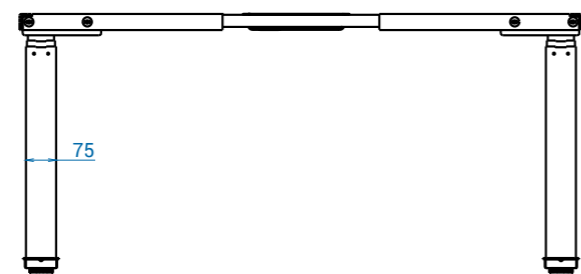


S = Standard included in EU stock products

Dual motor desk frame
AK2YJYT-YZB3-BM



■ Product dimensions



■ Parameters

Leg orientation	: square
Height adjustable range	: 625 - 1275 mm
Frame adjustable size	: 1075 - 1800 mm
Table top bracket	: 600 mm
Foot length	: 700 mm
Max. lifting capacity	: 120 kg
Max. speed	: 40 mm/s
Noise level	: <45 dB
Input	: 110 - 230V
Warranty period	: 5 years
Anti-collision type	: T-touch (gyroscope)
Available in	: ■ black (RAL 9005) : □ white (RAL 9010) : ■ aluminum (RAL 9006)

■ Packing information

Dimensions	: 1075 (l) * 315 (w) * 220 (h) mm
Net weight	: 30,5 kg
Gross weight	: 32,5 kg
Container quantities	: 20 GP / 288 sets : 40 GP / 648 sets : 40 HC / 720 sets

■ Notes

■ Column options



■ Handset options



■ Accessories

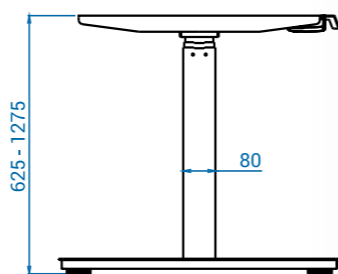
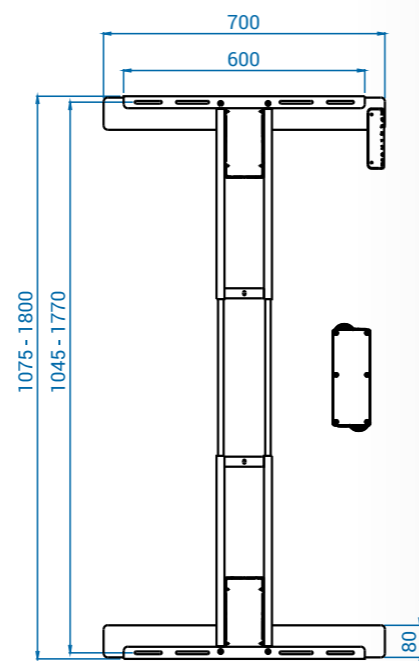
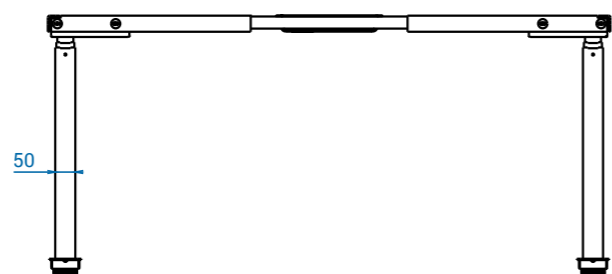


S = Standard included in EU stock products

Dual motor desk frame
AK2YJRT-ZF3



■ Product dimensions



■ Parameters

- Leg orientation : rectangular
- Height adjustable range : 625 - 1275 mm
- Frame adjustable size : 1075 - 1800 mm
- Table top bracket : 600 mm
- Foot length : 700 mm
- Max. lifting capacity : 120 kg
- Max. speed : 40 mm/s
- Noise level : <45 dB
- Input : 110 - 230V
- Warranty period : 5 years
- Anti-collision type : T-touch (gyroscope)
- Available in :
 - black (RAL 9005)
 - white (RAL 9010)
 - aluminum (RAL 9006)

■ Packing information

- Dimensions : 1075 (l) * 315 (w) * 220 (h) mm
- Net weight : 29,5 kg
- Gross weight : 31,5 kg
- Container quantities :
 - : 20 GP / 288 sets
 - : 40 GP / 648 sets
 - : 40 HC / 720 sets

■ Notes

■ Column options



■ Handset options



■ Accessories

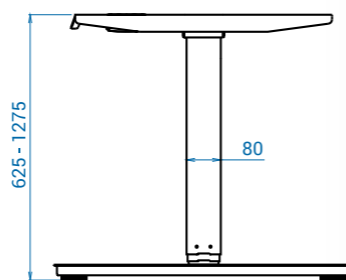
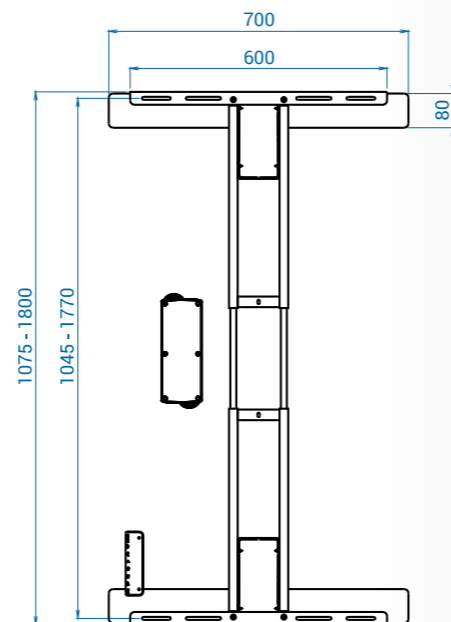
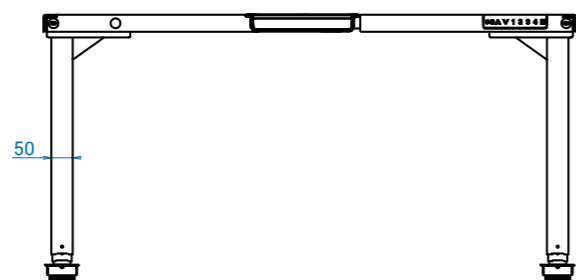


S = Standard included in EU stock products

Dual motor desk frame
AK2YJRT-ZB3



■ Product dimensions



■ Parameters

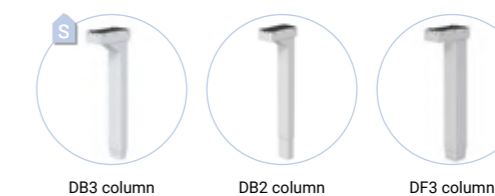
- Leg orientation : rectangular
- Height adjustable range : 625 - 1275 mm
- Frame adjustable size : 1075 - 1800 mm
- Table top bracket : 600 mm
- Foot length : 700 mm
- Max. lifting capacity : 120 kg
- Max. speed : 40 mm/s
- Noise level : <45 dB
- Input : 110 - 230V
- Warranty period : 5 years
- Anti-collision type : T-touch (gyroscope)
- Available in :
 - black (RAL 9005)
 - white (RAL 9010)
 - aluminum (RAL 9006)

■ Packing information

- Dimensions : 1075 (l) * 315 (w) * 220 (h) mm
- Net weight : 30 kg
- Gross weight : 32 kg
- Container quantities :
 - : 20 GP / 288 sets
 - : 40 GP / 648 sets
 - : 40 HC / 720 sets

■ Notes

■ Column options



■ Handset options



■ Accessories



S = Standard included in EU stock products

Dual motor desk frame
AK2YJRT-DB3

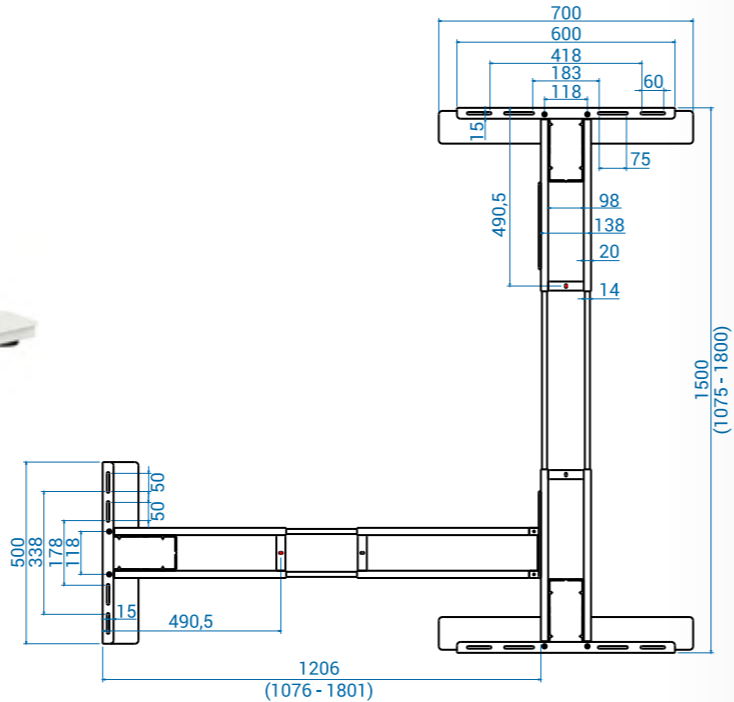


28 / AK3YJRT-ZF3 (90°)

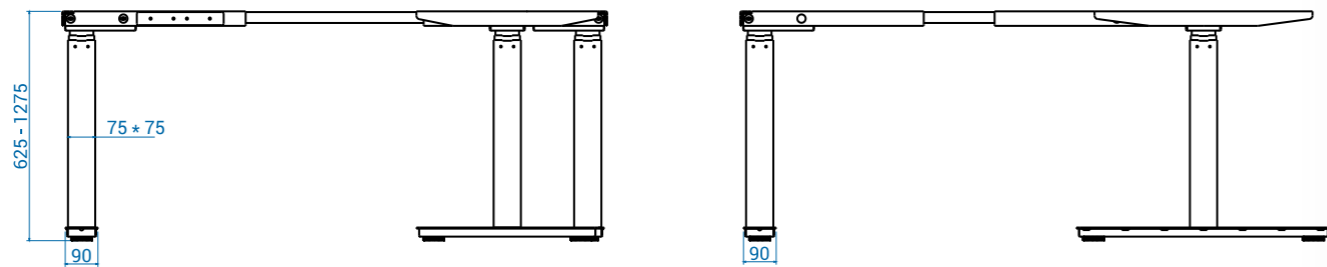
30 / AK3YJRT-ZF3 (120°)

32 / AK3YJRT-ZF3 (180°)

Triple motor desk series



■ Product dimensions



■ Parameters

- Leg orientation : square
- Height adjustable range : 625 - 1275 mm
- Frame adjustable size : 1075 - 1800 + 1076 - 1801 mm
- Table top bracket : 2 * 600 mm + 1 * 500 mm
- Foot length : 2 * 700 mm + 1 * 500 mm
- Max. lifting capacity : 150 kg
- Max. speed : 38 mm/s
- Noise level : 50 dB
- Input : 110 - 230V
- Warranty period : 5 years
- Anti-collision type : T-touch (gyroscope)
- Available in :
 - black (RAL 9005)
 - white (RAL 9010)
 - aluminum (RAL 9006)

■ Packing information

- Dimensions : box 1/2: 875 (l) * 475 (w) * 140 (h) mm
- : box 2/2: 1375 (l) * 315 (w) * 195 (h) mm
- Net weight : 46,5 kg
- Gross weight : 50 kg
- Container quantities : 20 GP / 140 sets
- : 40 GP / 294 sets
- : 40 HC / 336 sets

■ Notes

■ Column options



■ Handset options

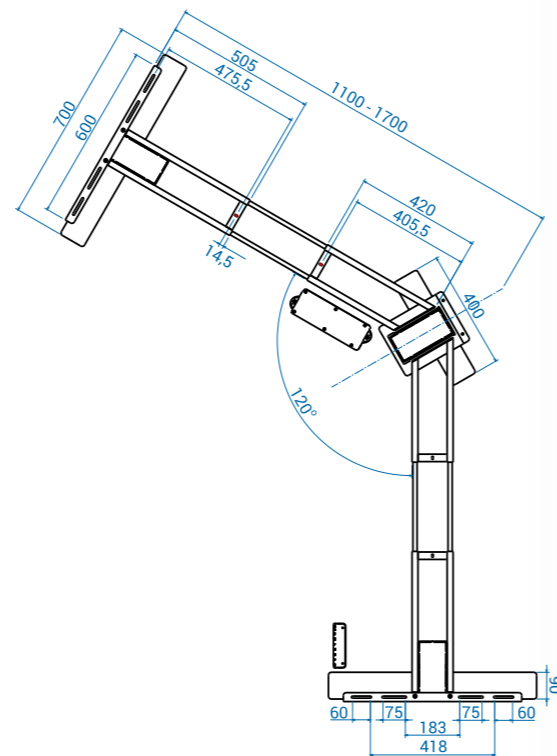


■ Accessories

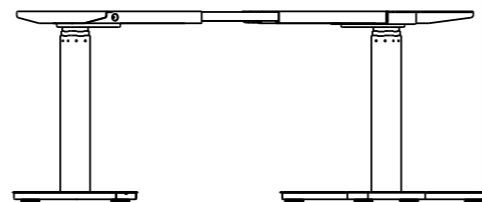
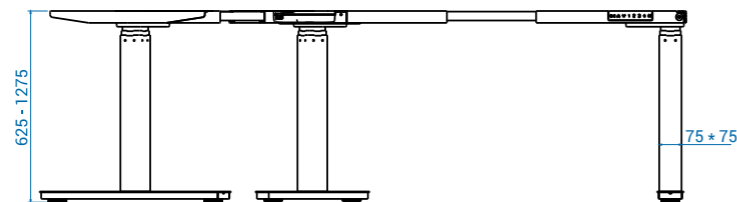


S = Standard included in EU stock products

Triple leg 90° desk frame
AK3YJRT-ZF3 (90°)



■ Product dimensions



■ Parameters

- Leg orientation : square
- Height adjustable range : 625 - 1275 mm
- Frame adjustable size : 1100 - 1700 + 1100 - 1700 mm
- Table top bracket : 600 mm
- Foot length : 700 mm
- Max. lifting capacity : 150 kg
- Max. speed : 38 mm/s
- Noise level : 50 dB
- Input : 110 - 230V
- Warranty period : 5 years
- Anti-collision type : T-touch (gyroscope)
- Available in :
 - black (RAL 9005)
 - white (RAL 9010)
 - aluminum (RAL 9006)

■ Packing information

- Dimensions : box 1/2: 875 (l) * 475 (w) * 140 (h) mm
box 2/2: 1075 (l) * 395 (w) * 195 (h) mm
- Net weight : 46,5 kg
- Gross weight : 50 kg
- Container quantities : 20 GP / 140 sets
: 40 GP / 294 sets
: 40 HC / 336 sets

■ Notes

■ Column options



■ Handset options



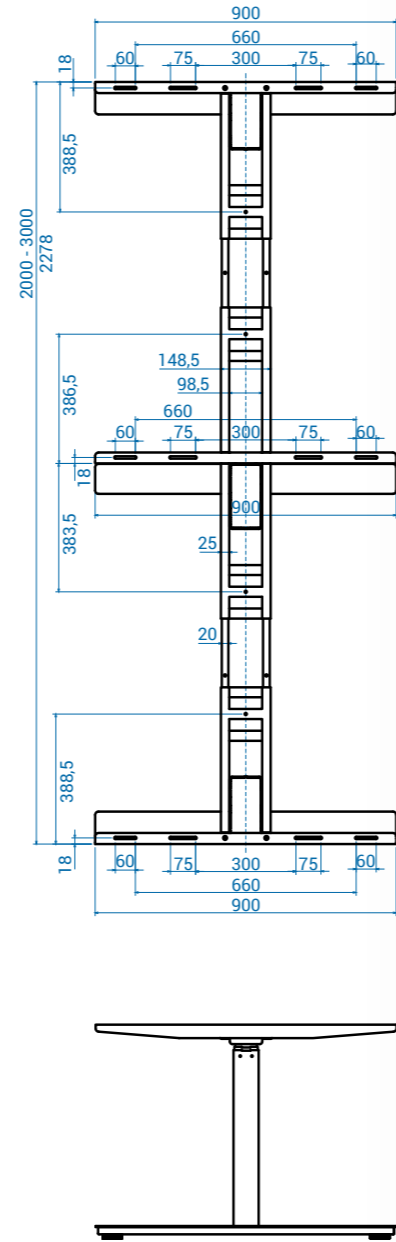
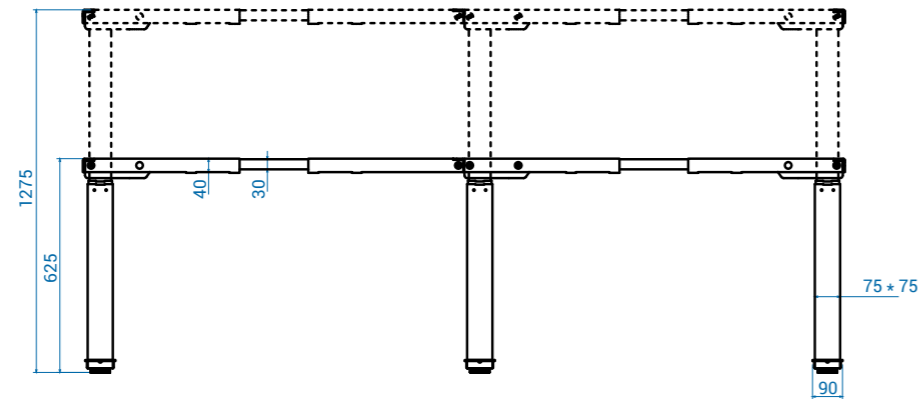
■ Accessories



Triple leg 120° desk frame
AK3YJRT-ZF3 (120°)



Product dimensions



Parameters

- Leg orientation : square
- Height adjustable range : 625 - 1275 mm
- Frame adjustable size : 2000 - 3000 mm
- Table top bracket : 900 mm
- Foot length : 900 mm
- Max. lifting capacity : 150 kg
- Max. speed : 38 mm/s
- Noise level : 50 dB
- Input : 110 - 230V
- Warranty period : 5 years
- Anti-collision type : T-touch (gyroscope)
- Available in :
 - black (RAL 9005)
 - white (RAL 9010)
 - aluminum (RAL 9006)

Packing information

- Dimensions : box 1/2: 875 (l) * 475 (w) * 140 (h) mm
- : box 2/2: 1055 (l) * 365 (w) * 195 (h) mm
- Net weight : 52,5 kg
- Gross weight : 56 kg
- Container quantities : 20 GP / 140 sets
- : 40 GP / 294 sets
- : 40 HC / 336 sets

Notes

Column options



Handset options



Accessories



S = Standard included in EU stock products

Triple leg 180° desk frame
AK3YJRT-ZF3 (180°)



36 / (AK2YJYT-YZB3-BM)*2

38 / (AK2YJRT-ZB3)*2

40 / (AK02YJHT-A-H)*2

42 / (AK02YJHT-A-L)*2

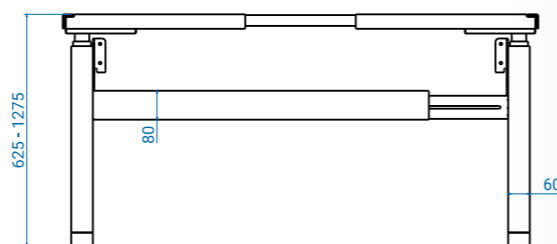
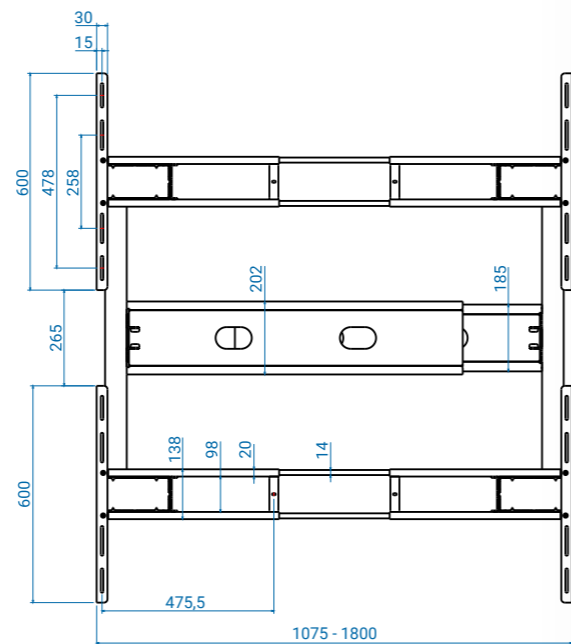
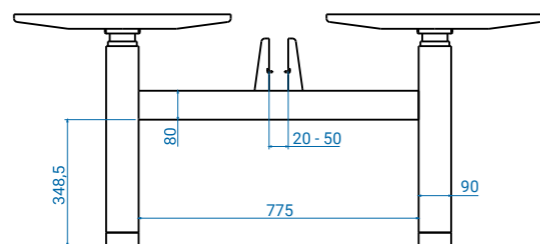
Bench desk series



Optional:
Telescopic cable management

Optional:
Partition panel holders

Product dimensions



Parameters

- Leg orientation : rectangular
- Height adjustable range : 625 - 1275 mm
- Frame adjustable size : 1075 - 1800 mm
- Table top bracket : 600 mm
- Foot type : plastic foot pad
- Max. lifting capacity : 80 kg per side
- Max. speed : 40 mm/s
- Noise level : <45 dB
- Warranty period : 2 years
- Anti-collision type : gyroscope
- Available in :
 - black (RAL 9005)
 - white (RAL 9010)
 - aluminum (RAL 9006)

Packing information

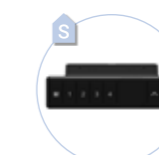
- Dimensions :
 - box 1/2 frame: 1075 (l) * 315 (w) * 275 (h) mm
 - box 2/2 frame: 1075 (l) * 315 (w) * 275 (h) mm
 - box bench cable tray: 965 (l) * 220 (w) * 110 (h) mm
 - box bench partition panel: 240 (l) * 150 (w) * 70 (h) mm
- Weight :
 - 1/2 frame: 30,4 kg (N.W.) / 33,3 kg (G.W.)
 - 2/2 frame: 30,4 kg (N.W.) / 33,3 kg (G.W.)
 - bench cable tray: 9,7 kg (N.W.) / 10,9 kg (G.W.)
 - bench partition panel: 1,3 kg (N.W.) / 1,4 kg (G.W.)
- Container quantities :
 - 20 GP / 112 sets
 - 40 GP / 252 sets
 - 40 HC / 288 sets

Column options



YZB3 column YDZB2 column

Handset options



WP-H01 handset

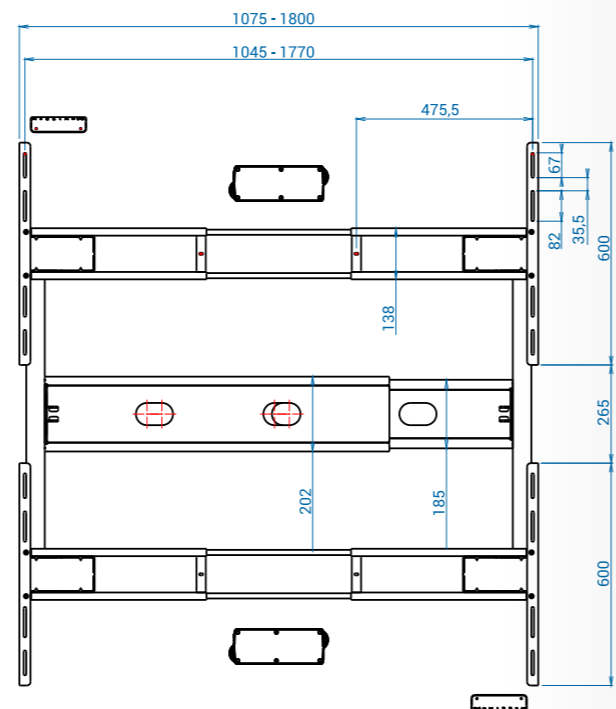
Accessories



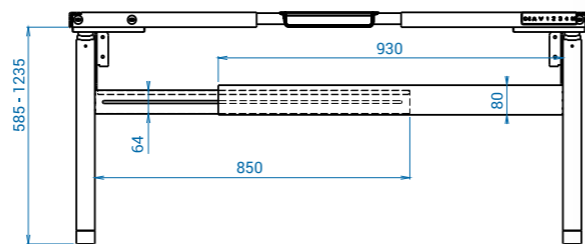
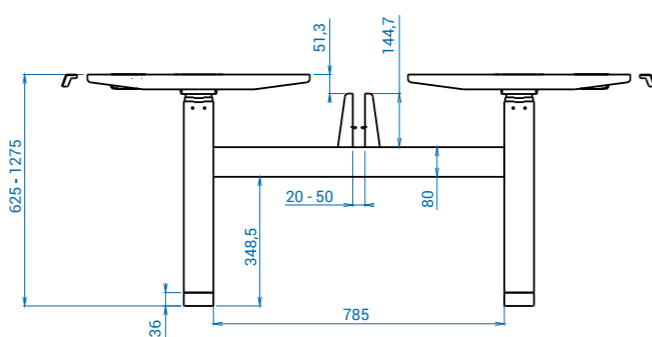
single monitor arm double monitor arm metal cable tray plastic cable tube personal drawer
cabinet wireless charger CPU-holder table tops partition panels

= Standard included in EU stock products

Bench workstation frame
(AK2YJYT-YZB3-BM)*2



Product dimensions



Parameters

- Leg orientation : rectangular
- Height adjustable range : 625 - 1275 mm
- Frame adjustable size : 1075 - 1800 mm
- Table top bracket : 600 mm
- Foot type : plastic foot pad
- Max. lifting capacity : 120 kg per side
- Max. speed : 40 mm/s
- Noise level : <45 dB
- Warranty period : 5 years
- Anti-collision type : T-touch (gyroscope)
- Available in :
 - black (RAL 9005)
 - white (RAL 9010)
 - aluminum (RAL 9006)

Packing information

- Dimensions : box 1/3: 1075 (l) * 315 (w) * 275 (h) mm
- : box 2/3: 1075 (l) * 315 (w) * 275 (h) mm
- : box 3/3: 1105 (l) * 465 (w) * 130 (h) mm

- Net weight : 66 kg
- Gross weight : 72 kg
- Container quantities : 20 GP / 90 sets
- : 40 GP / 193 sets
- : 40 HC / 210 sets

Notes

Column options



Handset options

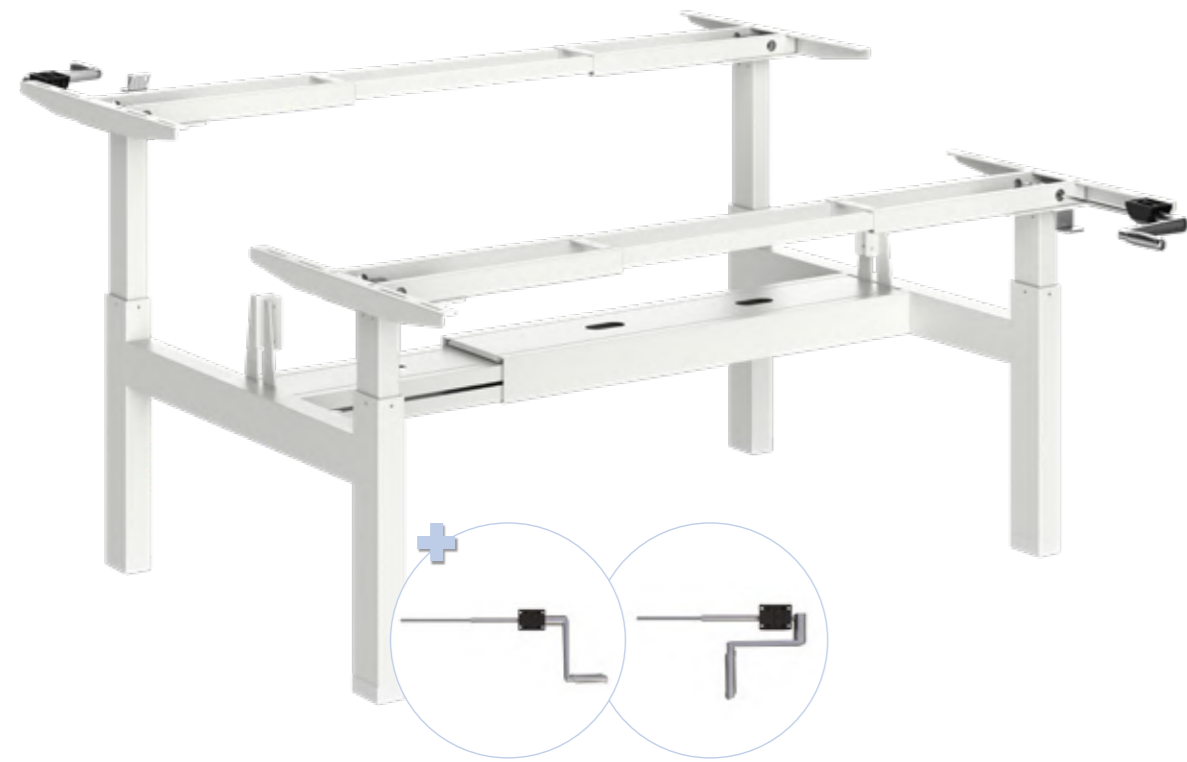


Accessories

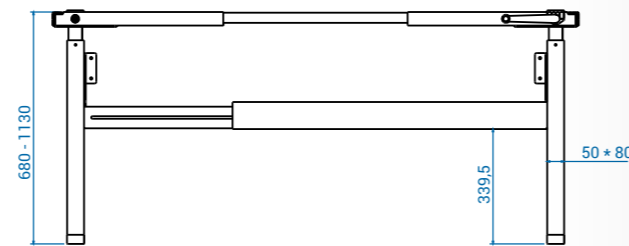
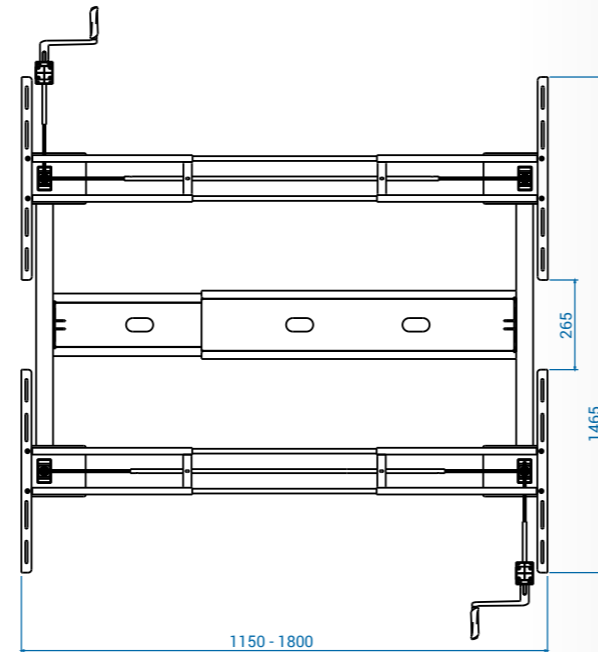
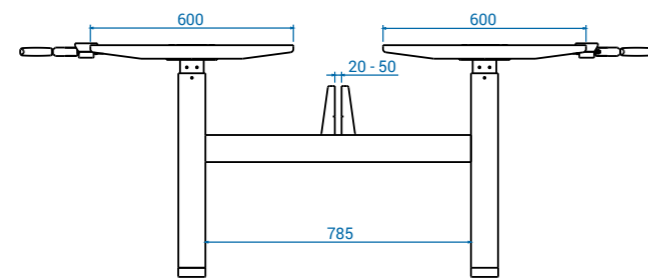


S = Standard included in EU stock products

Bench workstation frame
(AK2YJRT-ZB3)*2



■ Product dimensions



■ Parameters

- Leg orientation : rectangular
- Height adjustable range : 680 - 1130 mm
- Frame adjustable size : 1150 - 1800 mm
- Table top bracket : 600 mm
- Foot type : plastic foot pad
- Max. lifting capacity : 80 kg per side
- Height adjustable : manually by hand crank
- Max. speed : 8 mm/turn
- Warranty period : 5 years
- Available in :
 - black (RAL 9005)
 - white (RAL 9010)
 - aluminum (RAL 9006)

■ Packing information

- Dimensions : box 1/3: 1075 (l) * 315 (w) * 275 (h) mm
- : box 2/3: 1075 (l) * 315 (w) * 275 (h) mm
- : box 3/3: 1105 (l) * 465 (w) * 130 (h) mm

- Net weight : 42 kg
- Gross weight : 46 kg
- Container quantities : 20 GP / 90 sets
- : 40 GP / 193 sets
- : 40 HC / 210 sets

■ Notes

■ Column options



A column

■ Accessories



single monitor arm

double monitor arm

metal cable tray

plastic cable tube

personal drawer

cabinet

wireless charger

CPU-holder

table tops

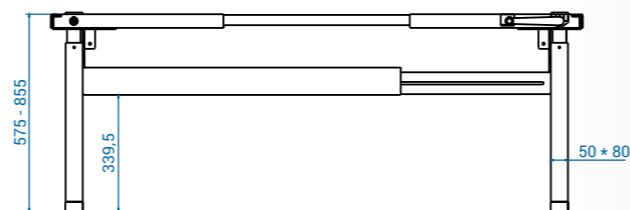
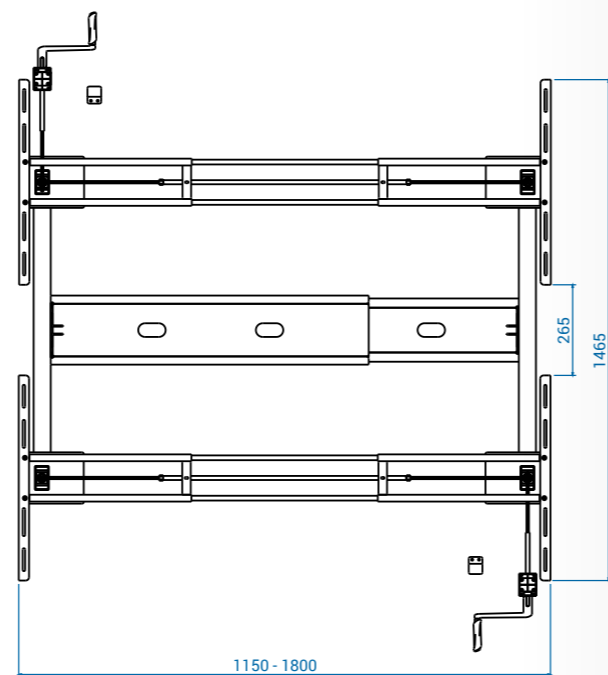
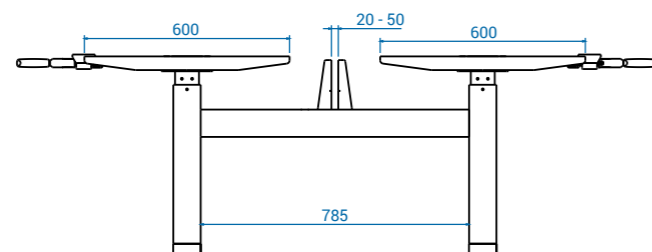
partition panels

S = Standard included in EU stock products

Bench workstation frame
(AK02YJHT-A-H)*2



■ Product dimensions



■ Parameters

- Leg orientation : rectangular
- Height adjustable range : 575 - 855 mm
- Frame adjustable size : 1150 - 1800 mm
- Table top bracket : 600 mm
- Foot type : plastic foot pad
- Max. lifting capacity : 80 kg per side
- Height adjustable : manually by hand crank
- Max. speed : 8 mm/turn
- Warranty period : 5 years
- Available in :
 - black (RAL 9005)
 - white (RAL 9010)
 - aluminum (RAL 9006)

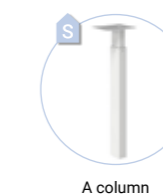
■ Packing information

- Dimensions : box 1/3: 1075 (l) * 315 (w) * 275 (h) mm
- : box 2/3: 1075 (l) * 315 (w) * 275 (h) mm
- : box 3/3: 1105 (l) * 465 (w) * 130 (h) mm

- Net weight : 58 kg
- Gross weight : 63 kg
- Container quantities : 20 GP / 90 sets
- : 40 GP / 193 sets
- : 40 HC / 210 sets

■ Notes

■ Column options



A column

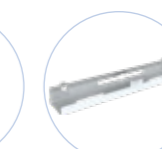
■ Accessories



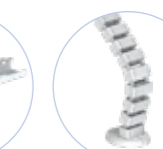
single monitor arm



double monitor arm



metal cable tray



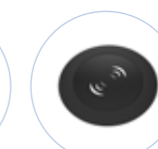
plastic cable tube



personal drawer



cabinet



wireless charger



CPU-holder

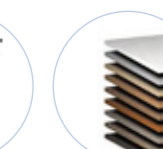
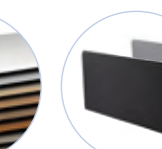


table tops



partition panels

S = Standard included in EU stock products

Bench workstation frame
(AK02YJHT-A-L)*2



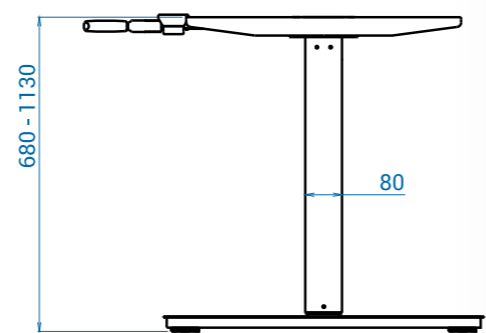
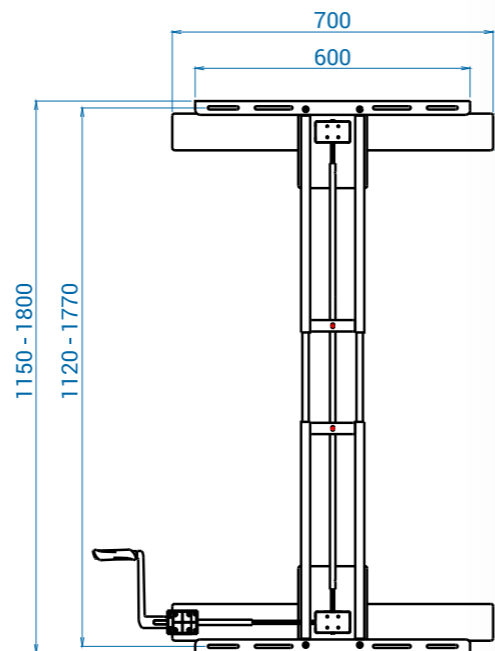
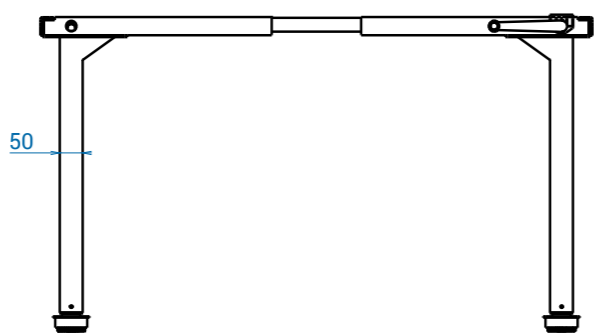
46 / AK02YJHT-AJ-H

48 / AK02YJHT-A-L

Crank desk series



■ Product dimensions



■ Parameters

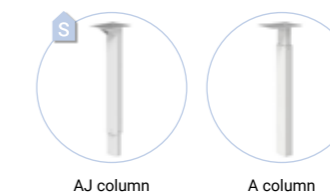
- Leg orientation : rectangular
- Height adjustable range : 680 - 1130 mm
- Frame adjustable size : 1150 - 1800 mm
- Table top bracket : 600 mm
- Foot length : 700 mm
- Max. lifting capacity : 80 kg
- Height adjustable : manually by hand crank
- Max. speed : 8 mm/turn
- Warranty period : 5 years
- Available in :
 - black (RAL 9005)
 - white (RAL 9010)
 - aluminum (RAL 9006)

■ Packing information

- Dimensions : 1075 (l) * 315 (w) * 245 (h) mm
- Net weight : 24,5 kg
- Gross weight : 26,5 kg
- Container quantities :
 - : 20 GP / 256 sets
 - : 40 GP / 576 sets
 - : 40 HC / 648 sets

■ Notes

■ Column options

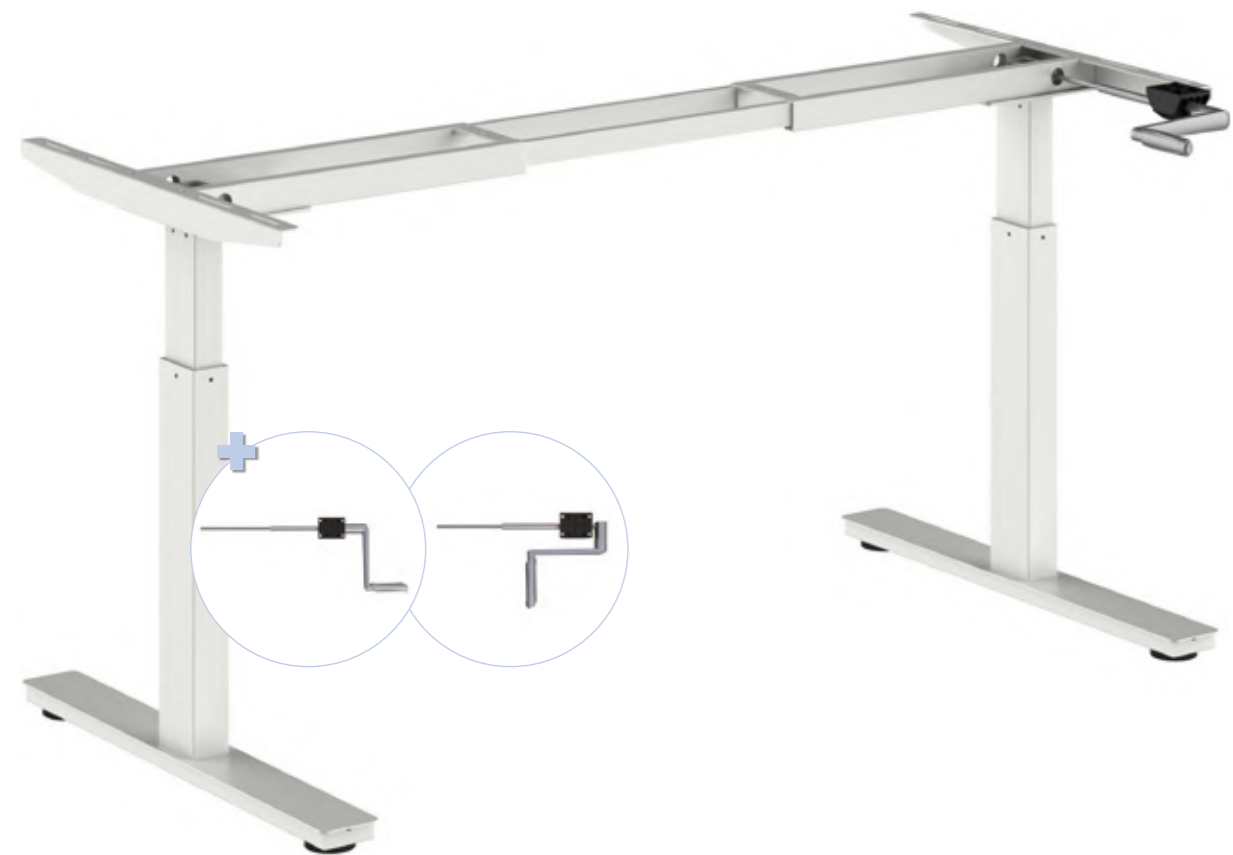


■ Accessories

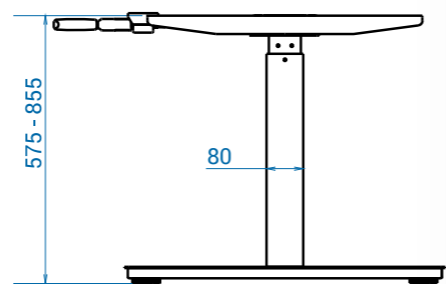
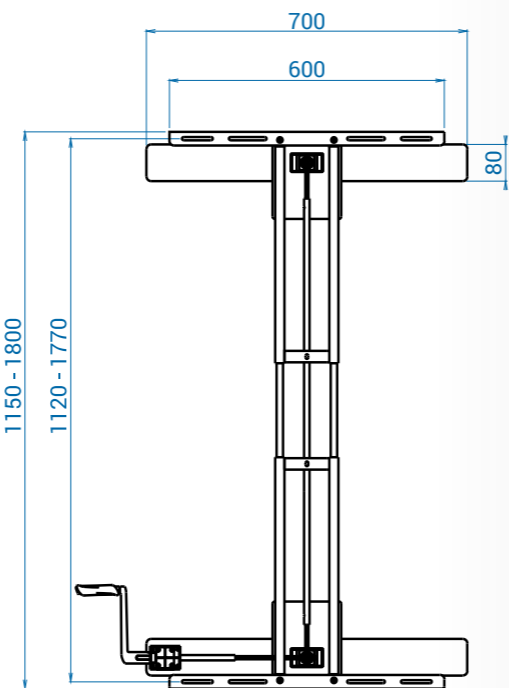
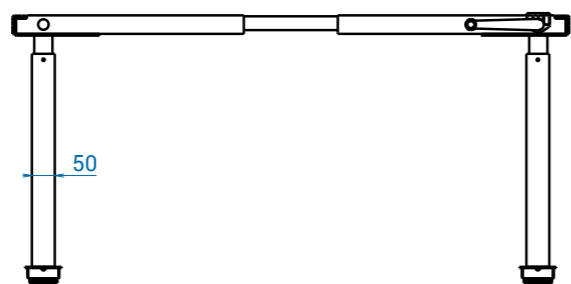


= Standard included in EU stock products

Manually operated desk frame
AK02YJHT-AJ-H



■ Product dimensions



■ Parameters

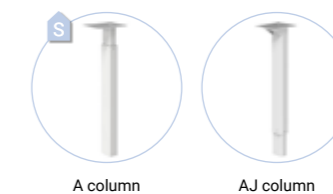
- Leg orientation : rectangular
- Height adjustable range : 575 - 855 mm
- Frame adjustable size : 1150 - 1800 mm
- Table top bracket : 600 mm
- Foot length : 700 mm
- Max. lifting capacity : 80 kg
- Height adjustable : manually by hand crank
- Max. speed : 8 mm/turn
- Warranty period : 5 years
- Available in :
 - black (RAL 9005)
 - white (RAL 9010)
 - aluminum (RAL 9006)

■ Packing information

- Dimensions : 1075 (l) * 315 (w) * 245 (h) mm
- Net weight : 29 kg
- Gross weight : 31 kg
- Container quantities :
 - : 20 GP / 256 sets
 - : 40 GP / 576 sets
 - : 40 HC / 648 sets

■ Notes

■ Column options



■ Accessories



= Standard included in EU stock products

Manually operated desk frame
AK02YJHT-A-L



52 / AK-MR-P13-2

53 / AK-MR-E03S

Desk risers



Desk riser AK-MR-P13-2

■ Parameters

Type of desk riser	: pneumatic desk riser
Height range for top	: 55 - 408 mm
Max. lifting capacity	: 8 kg
Warranty period	: 2 years

■ Notes



Desk riser AK-MR-03S

■ Parameters

Type of desk riser	: electric desk riser
Height range for top	: 150 - 550 mm
Height range for keyboard	: 20 - 420 mm
Max. lifting capacity	: 20 kg
Speed	: 15 mm/s
Input	: 100 - 240V, 50/60Hz, 1A
Noise level	: <50 dB
Warranty period	: 5 years

■ Notes



56 / AK-C01

57 / AK-C02

58 / AK-C03

59 / AK-SH01



Chair AK-C01

By combining ergonomics, design and exclusive quality, AK-C01 creates a seating experience of both luxury and simple simplicity and can, therefore, be seamlessly integrated into any room concept. In addition, this chair is EN-1335 certified.

- Ergonomic office chair according to EN-1335 certificate;
- Equipped with a synchronous mechanism;
- Can be locked in 4 positions with kickback protection;
- Depth adjustment trough sliding the seat;
- Adjustable body weight;
- 3D-adjustable armrest with soft pad;
- Height-adjustable backrest;
- Plastic design footstool;
- Multifunctional wheels 60 mm;
- Upholstery with 100,000 Martindale.

■ Packing information

Units per box : 1 unit
 Dimensions : 730 (l) * 380 (w) * 640 (h) mm
 Gross weight : 19 kg

■ Notes

.....

Chair AK-C02

A modern office chair with practical adjustment options and at the same time an elegant design. The sophisticated combination of breathable mesh fabric and hard-wearing material ensures maximum comfort and a pleasant sitting climate at all times.

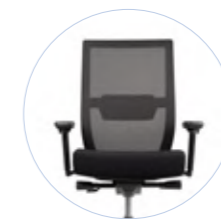
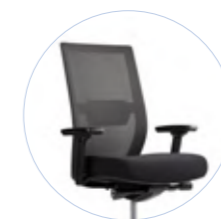
- Ergonomic office chair according to EN-1335 certificate;
- Equipped with a synchronous mechanism;
- Can be locked in 4 positions;
- Depth adjustment trough sliding the seat;
- Adjustable body weight;
- 3D-adjustable armrest with soft pad;
- The backside is made of black mesh;
- Plastic design footstool;
- Multifunctional wheels 60 mm;
- Upholstery with 100,000 Martindale.

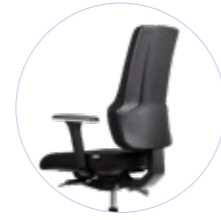
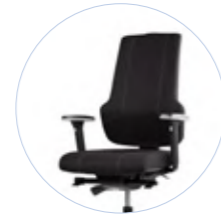
■ Packing information

Units per box : 1 unit
 Dimensions : 700 (l) * 320 (w) * 650 (h) mm
 Gross weight : 19 kg

■ Notes

.....





Chair AK-C03

The ergonomic office chair AK-C03 with Donati base, is manufactured with quality materials and has a superior finish. The AK-C03 offers a high level of seating comfort thanks to its individual adjustment options such as seat depth, height, sit-angle, and the 4-way adjustable synchronous mechanism.

- Ergonomic office chair according to EN-1335 certificate;
- Donati mechanism (4 positions with synchronous adjustment);
- Can be locked in 4 positions;
- Depth adjustment trough sliding the seat;
- Adjustable seat angle;
- Flexible height-adjustable backrest;
- 4D-adjustable armrest;
- Multifunctional wheels 60 mm;
- Upholstery with 130,000 Martindale;
- Suitable for up to 120 kg;
- 5-year warranty.

■ Packing information

Units per box	: 1 unit
Dimensions	: 760 (l) * 400 (w) * 650 (h) mm
Gross weight	: 21 kg

Sit/stand stool AK-SH01

The AK-SH01 is a balance stool with a preformed ergonomic seat and is especially suitable for sit/stand work. The seat is height adjustable by means of a gas lift. The dish foot creates imbalance and gives your body an impulse to sit upright with a fairly large open seating area.

- With the paddle, it's easy to adjust the height of the stool;
- The stool is fitted with foam;
- 360° swivel: the stool can be rotated 360 degrees;
- Portability: the handle makes it easy to move the stool;
- The stool is provided with a gas lift.

■ Packing information

Units per box	: 1 unit
Dimensions	: 490 (l) * 420 (w) * 280 (h) mm
Gross weight	: 9,8 kg

■ Notes





62 / Monitor arms

62 / Anti-fatigue mat

63 / Metal cable tray

63 / Plastic cable tube

64 / Bench connection beam

64 / Universal CPU holder

65 / Wireless charger

65 / Anti-collision sensor

66 / Personal drawer

66 / Metal cabinet

67 / Table tops

67 / Table top packaging

68 / Partition panels

68 / Leg covers

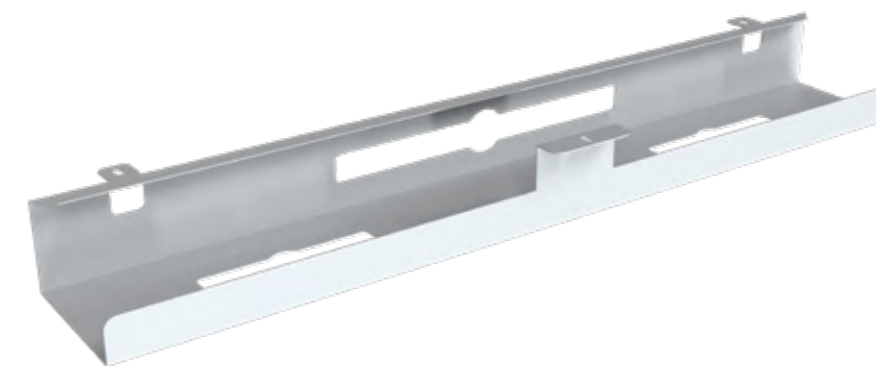
Accessories



Monitor arm AK-MA02S / AK-MA02D

■ Parameters

Suitable monitor size	: 14" - 32"
Rotation angle	: 360°
Height adjustable range	: 240 mm
Weight capacity	: 2 - 9 kg
Material	: ABS & aluminum
Available in	: ■ black (RAL 9005) : □ white (RAL 9010) : ■ aluminum (RAL 9006)

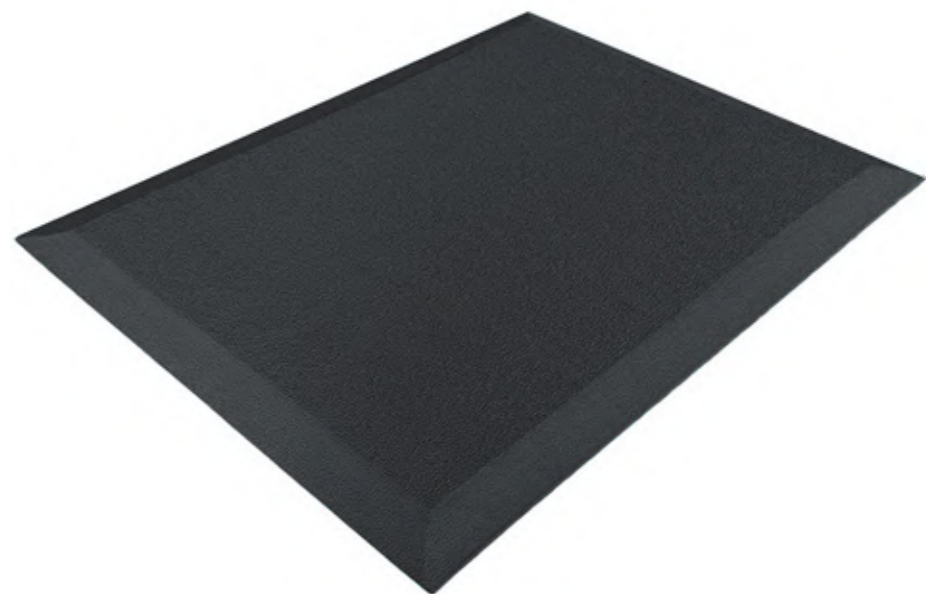


Metal cable tray

This cable tray can be used to hide cables. The cable tray must be screwed to the table top.

■ Parameters

Length	: 800 mm
Available in	: ■ black (RAL 9005) : □ white (RAL 9010) : ■ aluminum (RAL 9006)



Anti-fatigue mat

Standing at your desk can sometimes cause tired feet and legs. By using an anti-fatigue mat this phenomenon can be prevented. This makes it even more pleasant to use the sit/stand desk. In short, an important addition to your workplace!

■ Parameters

Sizes	: 900 (l) * 610 (w) * 19 (h) mm
Material	: TPE
Available in	: ■ black
Packing information	: 1 unit, 950 (l) * 650 (w) * 30 (h) mm, 1,5 kg



Plastic cable tube

Cables are always a problem in an office. This cable tube allows the cables to be neatly concealed, which makes the office look more clean.

■ Parameters

Length	: 1280 mm
Available in	: ■ black (RAL 9005) : □ white (RAL 9010) : ■ aluminum (RAL 9006)



Bench connection beam

With this bench connection beam it is possible to conceal the cables in a neat way. The connection beam can be linked to two benches by means of a magnet.

Parameters

- Sizes : 310 (l) * 60 (w) mm
- Material : steel
- Available in : black (RAL 9005)
- : white (RAL 9010)
- : aluminum (RAL 9006)



Wireless charger

With the wireless charger WP-W01, you can charge your mobile devices extra fast wirelessly. This charger supports wireless fast charging for all mobile devices that support this function.

Parameters

- Diameter : 80 mm
- Thickness : 12 mm
- Material : plastic
- Available in : black
- : white



Universal CPU holder

The CPU holder is suitable for computers of up to 14 kilos. It is being attached under the desk to allow the PC to be placed freely from the floor. This reduces the risk of dust and damage.

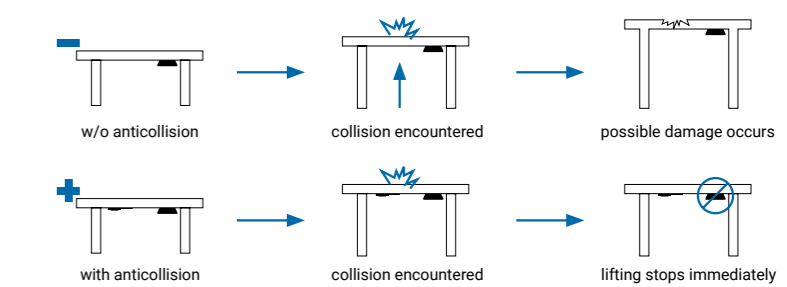
Parameters

- Height adjustable : 300 - 455 mm
- Width adjustable : 135 - 245 mm
- Available in : black (RAL 9005)
- : white (RAL 9010)
- : aluminum (RAL 9006)



Anti-collision sensor

With this anti-collision sensor you limit damage to the desk and/or devices nearby. Also the safety of the user will increase. As soon as the sensor detects that the desk is colliding with an obstacle, the desk stops moving.



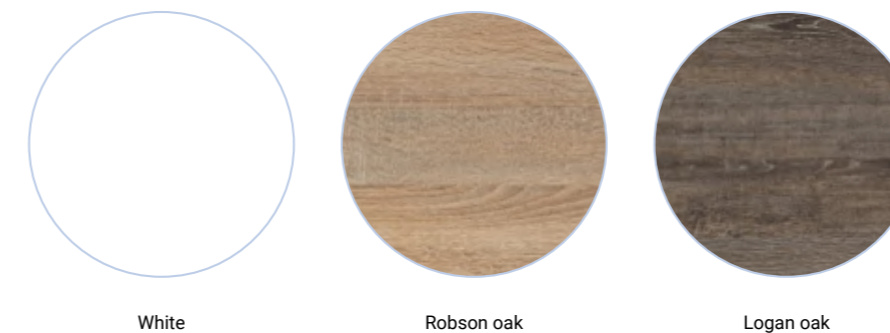


Personal drawer

Nowadays, less and less documentation material is needed. That's why this personal drawer is the perfect solution. It is equipped with a pen tray and has a lock to keep your belongings safe.

■ Parameters

- Dimensions : 300 (l) * 390 (w) * 90 (h) mm
- Lock : including 2 keys
- Available in : black (RAL 9005)
- : white (RAL 9010)
- : aluminum (RAL 9006)



White

Robson oak

Logan oak

Table tops

In order to be able to deliver the total package, we also supply table tops. There are three colours that we can deliver quickly: White, Robson oak and Logan oak. Other colours can only be ordered on request. Please keep in mind that these have a lead time of 5 weeks.

- Standard sizes : 1200 * 800 * 25 mm
- : 1400 * 800 * 25 mm
- : 1600 * 800 * 25 mm
- : 1800 * 800 * 25 mm

All other sizes are available on request.



Metal cabinet

This drawer unit is equipped with telescopic slides, a pen tray and a drawer with a lock. This will ensure that your belongings are safely stored.

■ Parameters

- Dimensions cabinet : 580 (w) * 420 (d) * 540 (h) mm
- Dimension drawers : 560 (w) * 420 (d) * 155 (h) mm
- Available in : black (RAL 9005)
- : white (RAL 9010)
- : aluminum (RAL 9006)



Table top packaging

Sending table tops is often a problem that many people encounter because table tops are quickly damaged during transport. For this reason we have developed a table top packaging that makes it possible to ship table tops with standard parcel carriers such as UPS, DHL or TNT!

■ Notes

.....

.....

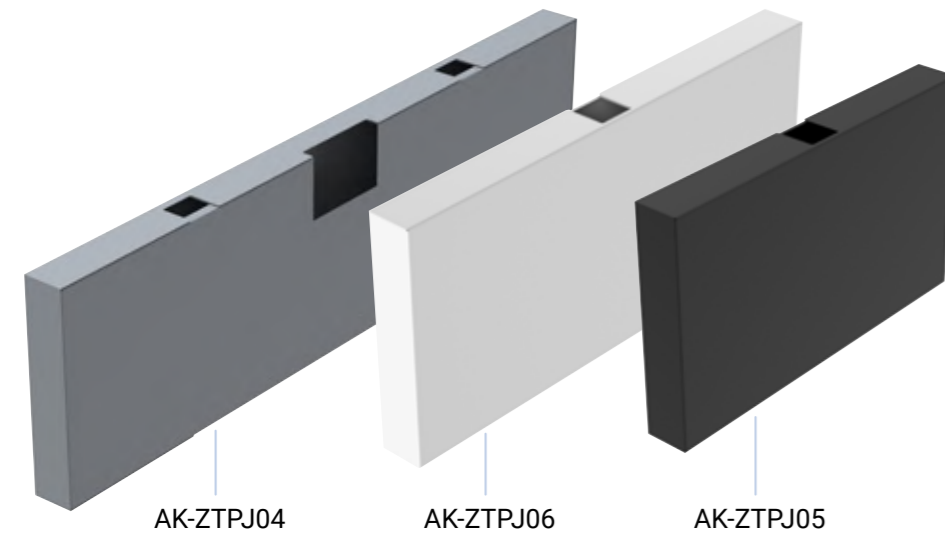


Partition panels

Partition panels ensure a neat separation in a large office environment. Not only does it contribute to privacy, but it also improves the acoustics in the room. The use of partition panels is often being experienced as very pleasant by users. Partition panels in light grey and dark grey are available from stock. In addition, the fabric used has a certificate for fire safety. Interested in a different size or colour? Please contact us.

■ Sizes

- 1600 * 800 * 30 mm
- 1800 * 800 * 30 mm



Leg covers

These leg covers are suitable to put on the legs of the frames. They are used to make the workplace look neat and tidy.

■ Parameters

- Dimensions
- : AK-ZTPJ04: 1660 (l) * 95 (w) * 475 (h) mm
 - : AK-ZTPJ05: 800 (l) * 95 (w) * 475 (h) mm
 - : AK-ZTPJ06: 1000 (l) * 95 (w) * 475 (h) mm
- Available in
- : ■ black (RAL 9005)
 - : □ white (RAL 9010)
 - : ■ aluminum (RAL 9006)

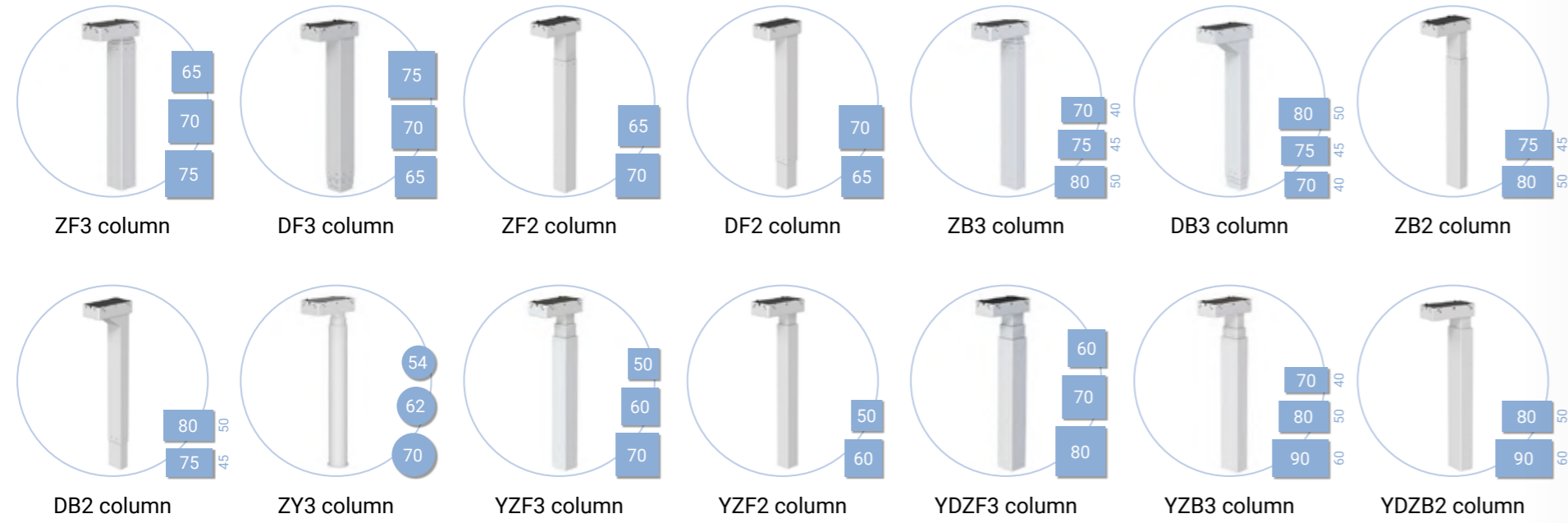
70 / Lifting columns

71 / Feet

72 / Control boxes

74 / Handsets

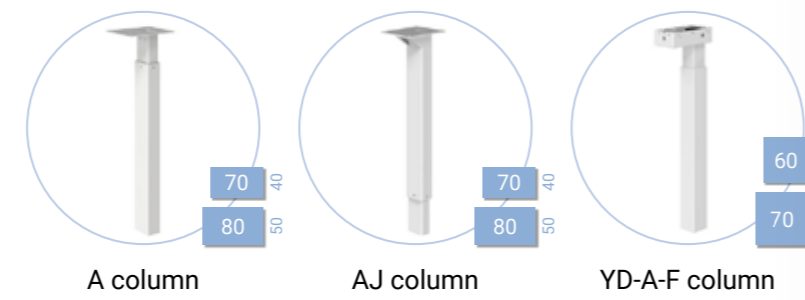
Dual motor lifting columns



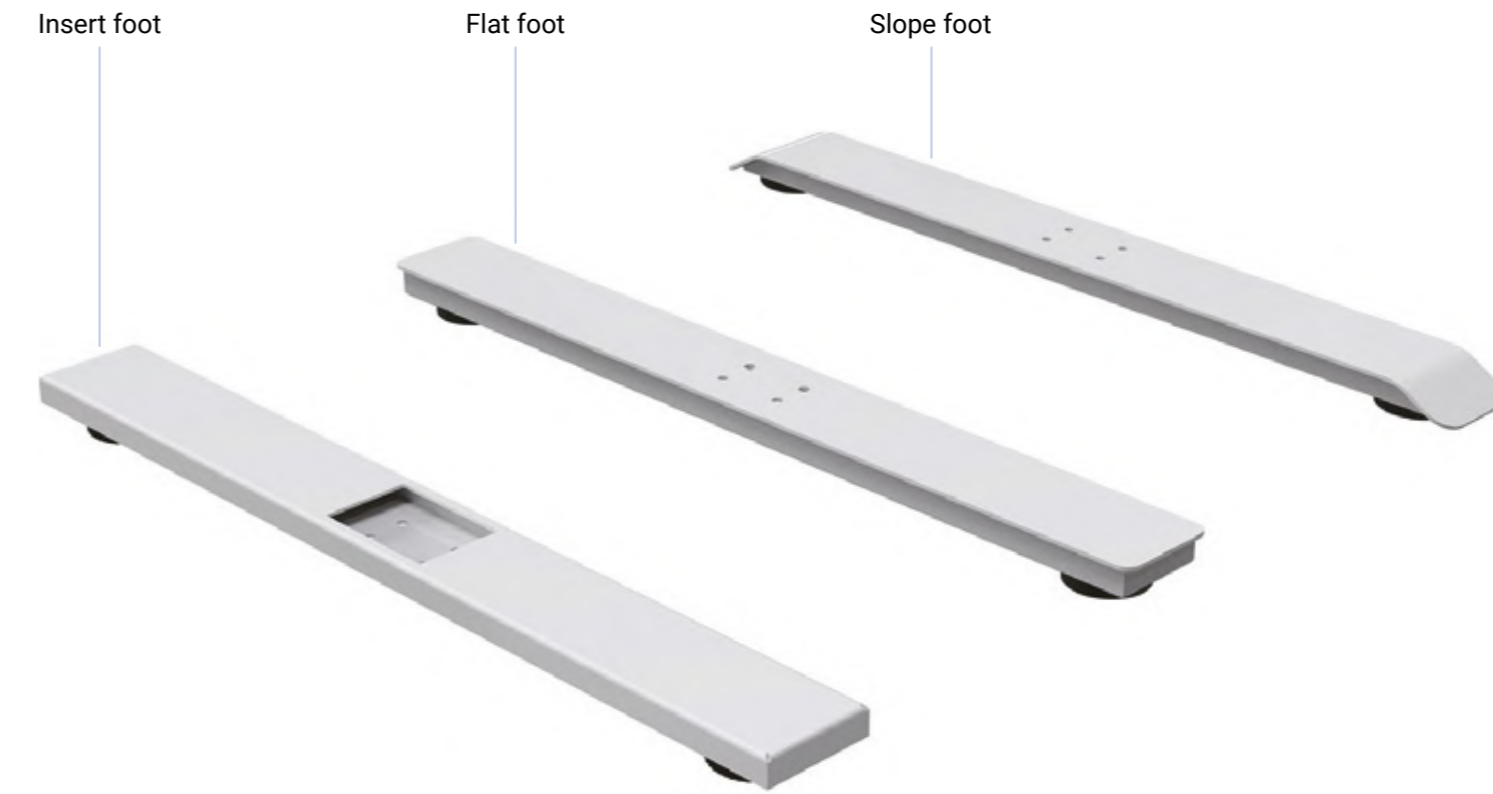
Single motor lifting columns



Hand crank lifting columns



Feet



Notes

Control box TC11



■ General features

- Built-in transformer : SMPS
- Standby power cons. : 0.1W
- Maximum output : 32V DC, 2.5A
- Number of actuators : 1
- Specially designed for use of height adjustable desks.

Control box TC15



■ General features

- Built-in transformer : SMPS
- Standby power cons. : 0.1W
- Maximum output : 32V DC, 4A
- Number of actuators : 2
- Supports anti-collision (Anti-collision system by difference in power consumption).
- Specially designed for use of height adjustable desks.
- Synchronous movement.

Control box TC15S



■ General features

- Built-in transformer : SMPS
- Standby power cons. : 0.1W
- Maximum output : 32V DC, 2.5A
- Number of actuators : 2
- Supports T-touch anti-collision (T-touch anti-collision with three axes motion sensor).
- Supports Bluetooth built-in.
- Supports height adjustable lock.
- Specially designed for use of height adjustable desks.
- Synchronous movement.

Control box TC16



■ General features

- Built-in transformer : SMPS
- Standby power cons. : 0.1W
- Maximum output : 32V DC, 4A
- Number of actuators : 3
- Supports anti-collision (Anti-collision system by difference in power consumption).
- Specially designed for use of height adjustable desks.
- Synchronous movement.

Control box T16P



■ General features

- Built-in transformer : SMPS
- Standby power cons. : 0.1W
- Maximum output : 32V DC, 4A
- Number of actuators : 3
- Supports T-touch anti-collision (T-touch anti-collision with three axes motion sensor).
- Supports Bluetooth built-in.
- Supports height adjustable lock.
- Specially designed for use of height adjustable desks.
- Synchronous movement.

Control box WP-CB01-001



■ General features

- Built-in transformer : SMPS
- Standby power cons. : 0.1W
- Maximum output : 32V DC, 4A
- Number of actuators : 2
- Supports anti-collision (Anti-collision system by beams of a gyroscope).
- Supports height adjustable lock.
- Specially designed for use of height adjustable desks.
- Synchronous movement.



Handset TDH6

■ General features

Maximum available buttons : 7
 Display : 3-digit display shows height of the desk
 Color : black
 Memory functionality : 4 settings

Handset TDH2

■ General features

Maximum available buttons : 6
 Option : Anti-pulling tube
 Display : 3-digit display shows height of the desk
 Color : black
 Memory functionality : 3 settings



Handset TH14

■ General features

Maximum available buttons : 2
 Color : black



Handset WP-H01

■ General features

Maximum available buttons : 7
 Display : 3-digit display shows height of the desk
 Color : black
 Memory functionality : 4 settings
 - With 1 USB charging port and safety lock button.

Handset TDH18P

■ General features

Maximum available buttons : 5
 Display : 3-digit display shows height of the desk
 Color : black
 Memory functionality : 3 settings
 - Compatible with the TWD1 (Bluetooth adapter).
 - With 2 USB charging ports and safety lock button.

* The desk can be controlled by Bluetooth when using the TWD1 (Bluetooth adapter).



■ Notes

AOKE FACTORY

- 📍 No.160 North Huanzhen Road, Science and Technology Park Jiangshan Town, Ningbo City
- ☎ +86-574-88193751 - +86-574-88193756
- 📠 +86-574-88193752
- 🌐 www.nbaoke.com - www.aokefurniture.com

AOKE OFFICE

- 📍 Room 602 Li Shi Business Building, No.82 Taiyuxiang Yinzhou Ningbo 315100 Zhejiang China
- ☎ +86-574-88193751
- 📠 +86-574-88193752
- ✉ sales_01@aokefurniture.com
- 🌐 www.nbaoke.com - www.aokefurniture.com

AOKE SOUTHEAST ASIA CO., LTD.

- 📍 15/46 Moo.18 Lam Luk Ka Rd., Khukhot, Lumlukka, Pathumthani Thailand 12130
- ☎ +66-2035 7029
- ✉ sale@aokesoutheastasia.com
- 🌐 www.aokefurniture.com

AOKE EUROPE B.V.

- 📍 Edisonweg 10, 6101 XJ Echt, The Netherlands
- ☎ +31-475 72 98 90
- ✉ sales@aoke-europe.com
- 🌐 www.aoke-europe.com

2020 / 2021