

WOLFVISION[®]

**INSTRUCTIONS
BEDIENUNGSANLEITUNG**

VZ-3neo and Swivel Option



ENGLISH / DEUTSCH

Check out our Internet Homepage for additional information
www.wolfvision.com/support

Precautions

ENGLISH



WARNING!

Risk of electric shock
Dangerous voltage inside



Please observe the following:

Use this Visualizer only with the correct voltage as shown on the type label !

Do not expose the Visualizer to heat or moisture !

Protect the Visualizer from excessive shocks !

Make sure that sufficient air circulation for cooling the Visualizer is possible (ventilation slots at the back)!

If there is any abnormality (abnormal noise, smell, smoke etc.) disconnect the Visualizer from mains immediately and contact your Visualizer dealer!

Do not use a damaged power supply / power cord. This may cause short circuits or electrical shocks!

To prevent danger, do not modify the Visualizer or operate without the cover panel firmly in place!

Do not expose the Visualizer to water, metallic objects or any flammable material.

Avoid installing the Visualizer in locations exposed to strong magnetic fields or electrical currents.

Avoid installing the Visualizer in environments where there is radiation. This could cause monitor image distortion or damage to the camera sensor.

Do not pull the plug from the power socket with wet hands!

If the Visualizer is not used for a long time, disconnect it from mains!

The supplied HDMI cable is designed for demo purposes only. Use high quality cable for final installation.

Use the included 12Vdc power supply. Alternatively, a PoE+ injector can be used (the PoE+ injector has to be certified to IEC/EN/UL/CSA 60950-1 or 62368-1 and has to meet the industry standard IEEE802.3at-2009).

Precautions for LED light according EN62471:



LED lighting system - Do not stare into beam!

Do not modify the LED lighting system!

Do not view the light beam with optical instruments!

Ne pas regarder dans l'objectif lorsque le visualiseur est en marche!

Approval



FCC Regulatory Information

This equipment has been tested and found to comply with the limits for a Class A digital device, pursuant to part 15 of the FCC Rules. These limits are designed to provide reasonable protection against harmful interference when the equipment is operated in a commercial environment. This equipment generates, uses, and can radiate radio frequency energy and, if not installed and used in accordance with the instruction manual, may cause harmful interference to radio communications. Operation of this equipment in a residential area is likely to cause harmful interference in which case the user will be required to correct the interference at his own expense.

If this equipment does cause interference with radio communications services, which can be determined by turning the equipment off and on, you are encouraged to try to correct the interference by one or more of the following measures:

- Reorient or relocate the receiving antenna.
- Increase the separation between the equipment and receiver.
- Connect the equipment into an outlet on a circuit different from that to which the receiver is connected.

Consult the dealer or an experienced radio/TV technician for help.

This device complies with part 15 of the FCC rules. Operation is subject to the following two conditions:

- (1) This device may not cause harmful interference, and
- (2) this device must accept any interference received, including interference that may cause undesired operation.

Information to the user and integrator:

This product is designed, inspected and built according to local directives and standards, e.g. EMC, ANSI/UL Standard 62368-1 and CAN/CSA Standard C22.2 No. 62368-1 and CB-Scheme.

For further details please contact your dealer or WolfVision (www.wolfvision.com).

The user is cautioned that changes or modifications not expressly approved by the party responsible for compliance could void the user's authority to operate the equipment!

Worldwide Patents

EU 0 362 737

DE P58907684.1-08

CN 89107780.4

JP 1725033

KR 128059

US 5,027,219

EU 0 987 874

JP 3 544 900

AU 765617

CN ZL99118847.0

and others

Copyright Information

Copyright © by WolfVision. All rights reserved.

WolfVision, Wofu Vision and 沃福视讯 are registered trademarks of WolfVision Holding AG, Austria.

No part of this document may be copied, reproduced, or transmitted by any means, without prior written permission from WolfVision. Except documentation kept by the purchaser for backup purposes.

In the interest of continuing product improvement, WolfVision reserves the right to change product specifications without notice.

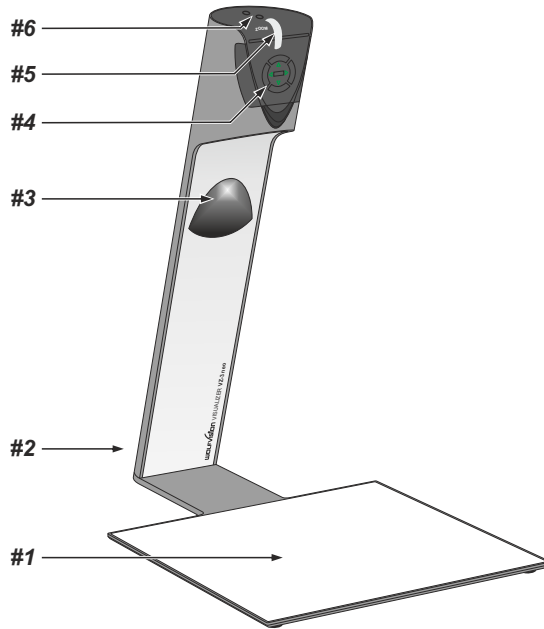
Information in this document may change without notice.

Disclaimer: WolfVision shall not be liable for technical or editorial errors or omissions.

The units are "MADE IN EU/AUSTRIA"

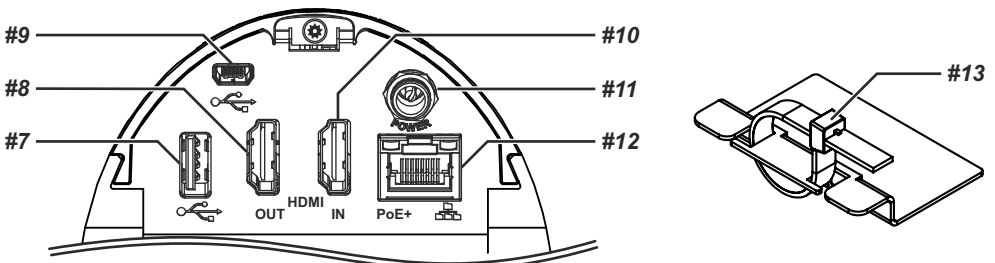
Printed in Austria, December 2016

Components of the Visualizer



- #1 Working surface (see page 6)
Not included with Swivel option.
The Swivel plate needs to be mounted onto table top, see pages 18 ff.
- #2 Connectors (on the back behind the cable cover - see below)
- #3 Light (maintenance-free LED)
- #4 Control keys (see next page)
- #5 Zoom wheel (see next page)
- #6 Power and Light keys (see next page)

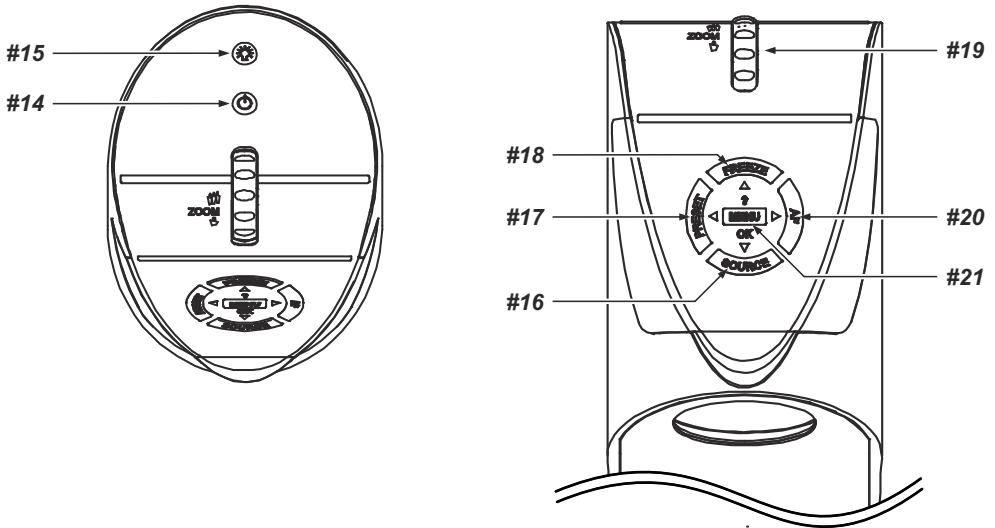
Connectors (#2)



- #7 USB port to Client (to peripheral devices, external storage units) (see pages 9, 10 and 13)
- #8 HDMI OUT output (see page 12)
- #9 USB port to Host (to computer) (see page 13)
- #10 HDMI IN input for external HDMI-signals (see pages 9 and 12)
- #11 Power connection 12V DC
- #12 LAN port 10Base-T/100Base-TX with PoE+ functionality (see pages 13 and 14)
- #13 Cable Tie to fix all cables (to unfasten, pull the lug)

Control Keys (#4), Zoom Wheel (#5) and Power/Light Keys (#16)

One of the great features of WolfVision's portable Visualizers is that only the most necessary keys are on the unit itself. Therefore anyone can use it without instructions:



#14 POWER key

Switches the unit on and off. When switching the unit on the Visualizer automatically runs power-on preset.

#15 LIGHT key

Switches the light of the Visualizer on and off. The LED beside the key indicates if the light is switched on. The LIGHT key also works as ONE PUSH WHITE BALANCE key if pressed for 2 seconds (see page 8).

#16 SOURCE key / menu: navigation key - down

Toggles between Visualizer image, external input and USB storage device (see page 9).

When the on-screen menu is activated, it works as navigation key (see page 11).

#17 PRESET key / menu: navigation key - left

For storing the preset, press the PRESET key for more than 2 seconds. For recalling the preset, press the PRESET key quickly (see page 7).

When on-screen menu is activated, it works as navigations key (see page 11).

#19 FREEZE key / menu: navigation key - up

Freezes the current image. The LED beside the key indicates the state (see page 7).

When the on-screen menu is activated, it works as navigation key (see page 11).

#19 ZOOM WHEEL

Turn the wheel down to zoom in (TELE), and up to zoom out (WIDE). The more you turn the ZOOM WHEEL, the faster the zooming works.

#20 AUTO FOCUS (AF) key / menu: navigation key - right

Switches the auto focus on and off. The LED beside the key indicates the state (see page 7).

Press and hold for two seconds activates the manual focus mode, use the navigation keys up/down to focus near/far.

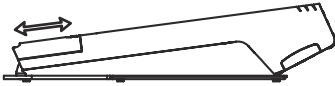
When on-screen menu is activated, it works as navigations key (see page 11).

#21 MENU key / menu: OK key and HELP key

Activates the on-screen menu (see page 11).

When on-screen menu is activated, it works as OK key. Press and hold for two seconds opens the help function.

Setting Up the Visualizer (*Swivel option: already mounted*)

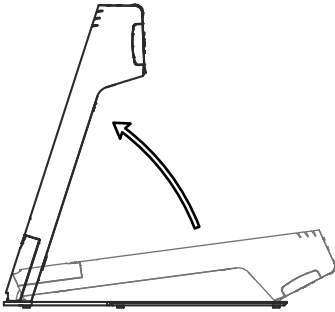


1. Remove cable cover.
2. Connect your display device (projector, monitor, video conferencing unit etc.) to the appropriate output of the Visualizer (#8, #9 or #12) and fasten the cable tie.

IMPORTANT:

Use cables without choke (ferrit core), other cables may block the hinge mechanism!

For choosing the right output setting of HDMI, please read the detailed description on pages 12!



3. Connect the power pack to the power-input (#11 or #12).
4. Slide-in cable cover until it snaps.
5. Lift the arm upwards. The Visualizer is switched on automatically. (Alternatively, the Visualizer can be switched on by pressing the POWER key.)

Power-on preset:

The power-on preset is automatically activated when switching on the unit.

The settings are: zoom size: width approx. 20cm (DIN A5), autofocus: on, auto iris: on.

As soon as the Power Indication illuminated LED stays green, you can start working with the Visualizer.

The behavior of the unit once the power has been supplied or after the POWER key has been pressed can be changed in the unit's on-screen menu (see page 11).

Operating the Visualizer for the first time - Quick Setup Guide

When the Visualizer is switched on the first time, the Quick Setup Guide will be started automatically on-screen (visible on HDMI output). Use the arrow keys and the OK key to navigate through the menu.

The settings are:

Language

Select the desired language for the on-screen menu.

Ethernet Settings

The IP-address, Subnet Mask and Gateway IP-address can be set automatically by a DHCP-server or manually.

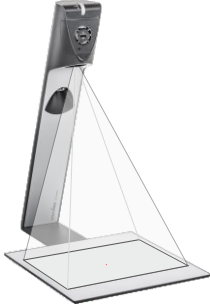
Time Settings

The Visualizer offers the possibility to use the internal clock or an external time server (a time valid time server IP address and internet connection are required).

Audio Settings

Set up audio configuration.

Shooting Area on the Working Surface



Position the objects onto the working surface by checking the connected monitor or projector monitor.

When reflections appear just switch off the built-in light and work with room light. Please note that reflections can also be caused by general room lighting conditions.

Working Surface (#1)

The working surface of the Visualizer has a special crystalline white color, which is especially designed for perfect reproduction of transparencies.

In the following cases, an optional lightbox is recommended:

- If the transparency is very dark
- If the transparency is very wavy and causes reflections
- If the room light causes reflections on a transparency

The workings surface foil is not included when the Swivel model is purchased.

Optional Dry-Erase Foil (whiteboard)

The optional whiteboard foil can be used for direct annotation with special whiteboard markers.

More information on markers and sponge cleaners at www.wolfvision.com (*products/accessories*).

Focusing / Autofocus

When powering up, the picked-up object will be focussed automatically.

Please note that objects with very low contrast (like a blank sheet of paper) are difficult to focus. If the autofocus does not work just move the object slightly.

For special applications the autofocus can also be switched off using the on/off switch (#20).

To focus manually, press and hold the AF key for two seconds and use the navigation keys up/down (#16/#17) to focus near/far. Press the FOCUS key again to normal operation. As long as the manual focus mode is active, the arrow LEDs up and down are flashing.

The autofocus metering mode (multi-field or spot/centre) can be changed in the on-screen extra menu (see page 11).

Optical Zoom / Digital Zoom

The Visualizer has an **optical zoom** which provides full resolution and additionally a digital zoom extension to increase the overall zoom range. When you zoom in further the optical zoom, the digital zoom is automatically activated. However please be aware that when the digital zoom is used, the resolution of the picture is not as good as before. The default setting displays a message on-screen when you are in the digital zoom mode.

The behavior in the digital zoom mode can be changed in the on-screen menu (see page 11).

Data:

12x zoom (6x optical zoom and 2x digital zoom)

min. pick-up area on working surface: 33x26mm [1.3x1.0"]

min. pick-up area on working surface in full resolution: 66x50mm [2.6x2.0"]

max. pick-up area on working surface: 400x290mm [15.75x11.42"]

Automatic / Manual Exposure

WolfVision Visualizers are equipped with auto exposure. This means that the brightness of the camera image adjusts automatically to the optimal setting. Using the Image Brightness function of the on-screen menu brightens or darkens the image according manual intention (Exposure Settings).

When picking up areas with bright spots, Back Light Compensation can be switched on in the unit's on-screen menu - see page 11 and on-screen help.

Preset Function

The Visualizer offers the possibility to store the current settings as a Preset and recall them by just pressing the PRESET key (#17).

For storing a preset: adjust any function as required and then press and hold the PRESET key for at least 2 seconds. An on-screen message will inform you when the Preset is stored.

As mentioned above, when the preset is stored all current settings such as zoom, focus, iris etc. are also stored. Contrary to this, a user also has the opportunity to assign specific functions such as LIGHT", "NEGATIVE", "NEGATIVE/BLUE", "BLACK/WHITE", "FREEZE" etc. to the PRESET key in the on-screen menu of the Visualizer (see page 11).

Hint:

When picking up documents in portrait and landscape orientation, assign the function „ASPECT RATIO“ to the PRESET key. This will toggle the aspect ratio of the camera between 4:3 and 16:9 mode.

Freeze

The current image can be captured by pressing the FREEZE key (#18).

This can be used to prepare the next object while the audience is watching the frozen image.

White Balance Adjustment

Correct white balance adjustment is important for exact color reproduction!

Each time the lighting condition changes, the Visualizer's camera must readjust its white balance, in order to optimize the color reproduction. The lighting condition (color temperature) changes, for example, if changing between the Visualizer's light and an external lightbox (bottom light) or if the room light is turning on or off.

The standard setting of the Visualizer is "**Auto Tracking**" white balance. This means that the white balance is continuously adjusted automatically.

For an exact white balance, at least 10% of the recorded image should be white.

For a precise fixed white balance adjustment use the "One Push" white balance. This can be done by pressing the LIGHT key (#15) for 2 seconds (or assigned PRESET key). When the white balance is stored an on-screen message appears. Setting a "One Push" white balance switches off the "Auto Tracking" mode (when the unit is switched off and on again the "Auto Tracking" mode will be reactivated).

Normally there is no need for a manual white balance adjustment. However, if the colors on the screen still appear to be wrong, the white balance can be adjusted manually (one-push):

Hints to perform a One-Push white balance:

Top light:

Zoom in on a white object (e.g. a sheet of paper) until there is only white on the screen and press the LIGHT key for 2 seconds.

Lightbox with transparencies:

Turn off the light of the Visualizer with the LIGHT key and switch on the lightbox. Remove everything from the lightbox, zoom to the smallest picture size until there is only white on the screen and press the LIGHT key for 2 seconds.

Lightbox with x-rays:

Turn off the light of the Visualizer with the LIGHT key and switch on the lightbox. Place an x-ray on the lightbox, zoom out until the whole x-ray is picked up and press the LIGHT key for 2 seconds.

Please note: False colors can also be caused by incorrect color settings on a connected projector or monitor. It is recommended to adjust the white balance of the Visualizer at first and if the results are still not satisfactory, the monitor or projector should be checked.

*For specialists: The Visualizer can be switched between "**Auto Tracking**", "**One Push**" and "**Manual**" white balance mode in the on-screen menu (see page 11). If you work with negative transparencies and a lightbox, use a blank (black in the image) part of the negative film for white balance adjustment! The "one Push" white balance will be separately adjusted and stored for top light and external lightbox / no light.*

Optional: Lightbox

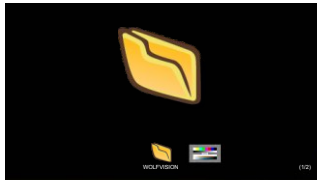
When a lightbox is used, the top light of the Visualizer should be switched off with the LIGHT key. The recommended lightbox for the Visualizer is the WolfVision Lightbox LB-9.

SOURCE, USB and HDMI IN

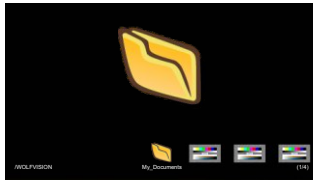
USB Mode

Use the SOURCE key (#16) to toggle between external source (if available), USB stick and camera live image. In USB mode, a split image with the available folders and stored pictures will be displayed. Additionally a status line with picture information is shown on the bottom of the screen. Use the SOURCE key to return to the camera live image temporarily. The presentation will stay at the last picture shown. To continue, use the SOURCE key again.

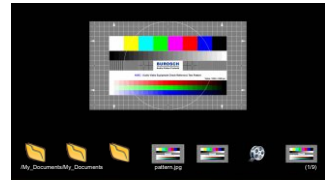
To select one of the currently displayed pictures move the picture bar with the Backward/Forward keys (#17/#20) and confirm it with the OK key (#21). Use Backward/Forward keys to show the previous/next picture. Use the OK key to return to the split view.



initial screen



selected folder "My_Documents"



selected image "pattern.jpg"

Use the MENU key deleting single pictures or videos.

For further organization of the USB storage device use your computer; like creating or deleting folders, moving pictures from one folder to another, deleting pictures and/or videos or formatting of the USB storage device.

Please note formatting the USB storage device will delete all data.

Supported file systems are FAT16 and FAT32.

Supported picture file format is JPG format.

*Supported video file format is AVI-container with codec H.264 (video file extension is *.avi).*

HDMI IN - external input (#16)

A computer (or other HDMI source) can be connected to the input **HDMI IN** of the Visualizer.

Use the SOURCE key (#16) to toggle between external source, USB stick (if connected) and camera live image of the camera. In Extern mode, the Visualizer displays the signal from the external input to the audience.

The Visualizer has a built-in D/D- and D/A-converter in order to convert the digital signal from the computer and outputs it on HDMI (audio is supported) and RGB in the selected signal format.

Supported resolutions from VGA (640x480@60Hz) to WUXGA (1920x1200@60Hz) with several resolutions and refresh rates in this range. Preferred 1080p (1920x1080@60Hz).

Depending on input resolution, black bars are possible.

Following data are provided:

Plug & Play Monitor VESA DDC

Monitor name: "WolfVision"

Video Input Definition: digital signal

Vertical range limits: 50Hz - 60Hz

Horizontal range limits: 20kHz - 75kHz

Maximum pixel clock: 170MHz

Gamma: 2.2

Preferred resolution: 1080p (1920x1080) @60Hz

Built-in Digital Scaler (for HDMI IN and USB-Stick)

The Visualizer has a built-in digital image scaler which can process the signals from the external inputs and output it in the same mode as the Visualizer image (For example: If the Visualizer is set to output an 1080p (FullHD) image to the projector and the computer outputs an XGA signal, the scaler of the Visualizer converts the XGA image of the computer to 1080p. As a result the projector does not readjust the input mode when switching between the Visualizer and computer image).

In addition images on a connected USB-stick are automatically scaled to the current output mode of the Visualizer.

The output resolution of the Visualizer can be changed in the on-screen menu (see page 11).

Picture in Picture (PiP) / Live to Freeze Comparison



The Picture in Picture Mode offers the possibility to show two different pictures at the same time on one screen. Just press the PiP key (*assigned PRESET key*) to activate the Picture in Picture mode. The current picture (e.g. external signal, image memory) will be shown in the lower left corner and the live image will be shown in the upper right corner. The size of the live image is much bigger.

The content of the live image can be changed e.g. by recalling a stored image memory.

Following comparisons are possible: HDMI-In, image memory, live image. The content from the small image is frozen, except when the signal from the HDMI-In is shown, then it shows live content of the external source.

The behavior of the PiP mode can be changed in the on-screen menu, Output Settings (see page 11).



The following chapter is for experienced users only:

ON-SCREEN MENU / ON-SCREEN HELP

For regular use of the WolfVision Visualizer, it is not necessary to go into the Visualizer's menu and change settings. Inexperienced users should not make any adjustments here.

To enter the on-screen menu press the MENU key (#21). Settings of the Visualizer's basic functions and the built-in camera can be made here using the 4 navigation keys (=the keys with arrows #16, #17, #18 and #20) and the OK key to confirm (#21).

If more information on a function in the on-screen menu is required, set the cursor in the respective line and press and hold the ? HELP key (#21). A detailed description of this function appears on the screen.

By pressing the MENU key for 4 seconds the Extra Menu appears. In the Extra Menu, e.g. the auto focus metering mode can be changed, or the zoom wheel can be calibrated. Recalling the Factory Reset will reset all settings including resolution and IP address to the default.

The functions of the on-screen menu are not described in detail in this user manual as the help menu is an integrated part of the Visualizer's software (firmware). The information you see on your screen always belongs to the current Visualizer firmware.

Exposure Settings

The exposure settings will affect the brightness of the image, e.g. Gain, Shutter, Aperture, Image Brightness and Back Light Compensation.

Color Settings

The Color Settings will affect the color reproduction of the camera, e.g. White Balance settings, Color Mode and Positive/Negative.

Hint:

If the picture on your screen appears to be too light or too dark or the color saturation is not correct, the Color Mode can be changed.

For better readability of handwritten texts, the image can be changed to BLUE.

Output Settings

To change the Detail Settings (sharpness) and to change the Output Resolution manually.

Hint:

Use the "Resolution Test" function to change to the selected resolution temporarily for ten seconds. This way the compatibility of the connected display device can be easily checked.

Preset Control

In the "Preset Control" the Preset keys can be assigned specific functions such as "NEGATIVE/BLUE", "BLACK/WHITE", "LIGHT", etc.. Additionally the default presets can be recalled.

Advanced Settings

In this sub-menu the behavior when powering on, digital zoom, on-screen menu can be changed.

Settings for Ethernet (LAN), Date/Time and USB stick will also be found in this menu.

Hint:

Change Power-Down Mode to "ECO" or "DEEP" to save power consumption in standby mode.

Open "Device Info" to view details of the unit like currently installed firmware version.

Recall Default Menu Settings

All picture affecting settings can be set back to the factory defaults. All settings which affect the communication with other equipment, e.g. network settings and resolution will not be changed.

Start Quick Setup Guide

The Quick Setup Guide will be started automatically when the Visualizer is switched on the first time and can be started with this item manually. This menu will guide you through basic settings like language, network settings, time/date settings and audio settings.

HDMI OUT - Output (#8)

Choosing the Correct Output Mode

The HDMI output can output signals in following formats:

- SVGA (4:3 - 800x600 pixels) at 60Hz
- XGA (4:3 - 1024x768 pixels) at 60Hz
- UXGA (4:3 - 1600x1200 pixels) at 60Hz
- SXGA (5:4 - 1280x1024 pixels) at 60Hz
- 720p (16:9 Widescreen HD - 1280x720 pixels) at 60Hz
- 1080p (16:9 Widescreen HD - 1920x1080 pixels) at 30 and 60Hz
- WXGA* (16:10 Widescreen - 1280x800 pixels) at 60Hz
- WUXGA (16:10 Widescreen - 1920x1200 pixels) at 60Hz

The "Auto resolution" function is activated by default. In this mode the Visualizer continuously checks which devices are connected to the HDMI output and automatically sets the optimal output mode for the connected device. Please note that the Visualizer cannot check the possible resolution if the connected units or the cables** are not "Plug and Play" compatible. If the Visualizer cannot detect the resolution of the connected device, the output is set to the default of XGA/60Hz.
 (**Cables with plug and play compatibility must support DDC).

If you cannot use the "Auto resolution" function, you can select the output mode manually in the on-screen menu of the Visualizer (see page 11).

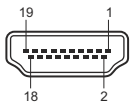
In order to achieve the best picture quality you must set the outputs of the Visualizer to match the native resolution of your display unit (e.g. LCD or DLP projector or monitor).

Important: What matters is the native resolution of the projector or monitor, not the maximum resolution that it can display (in compressed mode). The native resolution is the actual number of pixels of the built-in LCD display or DLP chip of a projector or monitor. Most LCD or DLP projectors can also display higher resolutions than their native resolution, but only in compressed mode and with inferior picture quality.

Do NOT set the output of the Visualizer to a higher standard than the native resolution of your display unit. Follow the instructions in the user manual of the connected units.

Please note, when the aspect ratio does not match the native resolution of the Visualizer or display device, black bars on top/bottom or left/right can be shown. Some display devices offer the possibility to zoom-in the image to minimize the black bars. Follow the instructions in the user manual of the connected units.

HDMI Port OUT (#8) and HDMI Port IN (#10)



19-pin HDMI connector female (front side, unit)

1 - T.M.D.S. Data2+	8 - T.M.D.S. Data0 Shield	15 - SCL (I ² C Serial Data Line for DDC)
2 - T.M.D.S. Data2 Shield	9 - T.M.D.S. Data0-	16 - SDA (I ² C Data Line for DDC)
3 - T.M.D.S. Data2-	10 - T.M.D.S. Clock+	17 - DDC Ground
4 - T.M.D.S. Data1+	11 - T.M.D.S. Clock Shield	18 - DC+5V (max. 50mA)
5 - T.M.D.S. Data1 Shield	12 - T.M.D.S. Clock	19 - Hot Plug detect
6 - T.M.D.S. Data1-	13 - Reserved	
7 - T.M.D.S. Data0+	14 - ARC (Audio Return)	

CEC (Consumer Electronic Control), ARC (Audio Return Channel) and HEC (HDMI Ethernet Channel) are not supported. DC+5V on HDMI OUT are available when Visualizer is fully powered up.

HDMI Content Protection - HDCP

The Visualizer does not support HDCP (High-bandwidth Digital Content Protection). Encrypted signals on the HDMI IN will be blocked and the Visualizer will output just a black image.

The proprietary HDCP technology is used on protected content like Hi-Definition Hollywood movies and Pay-per-view transmissions and will not affect non-protected content.

It is not allowed to bypass the security system by law. Copyright owner is Digital Millennium Copyright Act (DMCA).

USB Port to Storage Device (host) (#7)

The USB client port can be used as external memory to display pictures and video files. Simply connect a USB stick with the desired files and start the USB mode (*see page 9*).

Additionally it can be used to update the firmware (*see page 15*).

Note max. power consumption of 500mA.

Saving Visualizer Settings onto a USB Stick

The Visualizer offers the opportunity to save menu settings inclusive presets onto an USB stick as XML file. Change the settings to the desired values and store it on the USB stick (in the on-screen menu, Advanced Settings / USB Stick Settings).

When connecting an USB stick with the prepared XML file, an on-screen message will pop-up.

The behaviour of the Visualizer can be changed in the on-screen menu (see page 19).

As soon as the USB stick is removed, the previous settings are restored.

USB Port to the Computer (client) (#9)

The USB device port can be used for direct connections between the Visualizer and a computer.

UVC Driver (Universal Video Class, version 1.0)

The Visualizer is UVC compatible and can be used as webcam. No additional device driver will be needed (depending on used operating system on the PC).

Video Capture Driver (stand alone and part of vSolution Link)

The video capture driver is WIA (Windows Image Acquisition) compatible and can be used together with graphics software, like Adobe Photoshop®, or in combination with Interactive Whiteboards.

Please download the latest version of Video Capture Driver from: www.wolfvision.com (*Support*).

vSolution Link by WolfVision

Use the software vSolution Link to control the Visualizer and to use it as a scanner for 3-dimensional objects. Images in JPG, TIF or BMP format can be taken in a fraction of a second. Additionally video files can be stored and the Visualizer can be administrated.

Stored pictures are including EXIF data (available with format JPG or TIFF only). Included data are:

Manufacturer = WolfVision

Visualizer model (inclusive serial number) = e.g. VZ-3neo (01061472)

Firmware version = e.g. V1.42b

Date and time of create = e.g. 2016-12-17 11:06:29 (yyyy-mm-dd hh:mm:ss)

Please download the latest version of vSolution Link from: www.wolfvision.com (*Support*).

Power over Ethernet plus (PoE+)

The LAN port (#12) of the Visualizer includes Power over Ethernet plus (PoE+) functionality. The necessary power will be provided through the Ethernet cable, this way a separate power line and adapter can be saved. The Visualizer is compatible to the IEEE 802.3at -2009 industry standard.

The PoE+ adapter (injector or switch) used must meet the IEEE 802.3at -2009 industry standard. Adapters not meeting this standard are not compatible with this Visualizer and may have damaging effects!

Power Classification: "High power Class 4 (12.95 to 25.50W)".

More information on PoE+-adapters at www.wolfvision.com (*Products / Accessories*)

Ethernet / LAN Port (#12)

10Base-T/100Base-TX

The LAN port makes the Visualizer a part of the internal computer network and it can be used for communication over the Internet, if it is assigned an official (WAN) IP address.

Administrators of a larger number of Visualizers can use the LAN port to support all of their units from their local desktop PC.

The list of applications for the Visualizers LAN port is constantly increasing. It can be used for controlling, capturing still images, viewing live video streams, firmware updates, adjustments, menu settings and maintenance purposes (some functions are supported by vSolution Link only).

The following protocols are supported: TCP/IP, IGMP, UDP and ARP.

Supported (tested) internet browsers are: Windows Internet Explorer, Firefox, Chrome and Safari.

By default, DHCP is activated to receive all network settings automatically provided from the server.

Possible resolution of transferred pictures: up to FullHD (1080p) with WolfVision's vSolution Link.

Please check the online description "How To Connect the Visualizer to the Network".

Hints:

In TCP Singlecast mode each computer opens a separate connection to the Visualizer, which requires a lot of bandwidth if many clients are connected (max. 128 connections). Audio is not supported.

For full functionality of the webinterface, HTML5 compatible browser would be required.

Ensure that the used ports and IP-addresses are not blocked by any firewall.

(Ports: tcp 80, tcp 50915, tcp 50921, udp 123, udp 50000, udp 50913 and udp 50914).

Room Management Systems

The LAN port (#12) and the USB device port (#9) can be used to control the Visualizer through an external device, such as a room control system that is used to integrate conference rooms.

The complete serial protocol can be found on our internet website under: www.wolfvision.com (Support)

Connect the Visualizer to a Network

Detailed information in the separate description "How To Connect the Visualizer to a Network".

Connect the Visualizer to the existing network with available DHCP-server and the Visualizer will set the IP addresses according the DHCP information.

If a DHCP-server is unavailable, please set the addresses for IP, Subnet Mask, Gateway and Nameserver manually to valid settings.

Security

The Ethernet functionality of the Visualizer can be limited and the access can be protected with a password. Select "Security Settings" in the on-screen menu Advanced Settings / Ethernet Settings.

Input the valid admin password to change the settings to restrict the functionality of Ethernet. Also the admin password can be changed afterwards.

Note the changed password! Only WolfVision can reset a forgotten admin password!

Default passwords are "Password" for admin and guest.

FTP client

The Visualizer can be setup as FTP client for sharing screenshots.

Prepare Ethernet connection (wired or wireless) and select "FTP Settings" in the on-screen menu Advanced Settings / Ethernet Settings. There you can assign the server IP address, user name and password. When all settings are completed, select "Interval" to send current shown image content to the FTP-server in the defined time interval.

MAINTENANCE

Cleaning

IMPORTANT

Cabinet: Clean the cabinet by gently wiping it with a soft, lint-free cloth.

Lenses: Clean the lenses by gently wiping them with a soft, lint-free cloth (do not use a paper tissue!). Clean by breathing on the lenses to create moisture then wipe with lint-free cloth (If not clean, use special optical cleaner only!).

WARNING:

**Never use strong cleaning agents such as acetone or benzene!
These substances can damage the surface and anti-reflex coating!**

Firmware Upgrades

The firmware (software) of your Visualizer (including the on-screen HELP) can easily be upgraded to the latest version. The firmware update can be done via USB, Ethernet (LAN) or USB stick.

Firmware update files can be downloaded free of charge at www.wolfvision.com (Support).

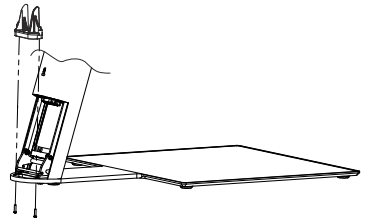
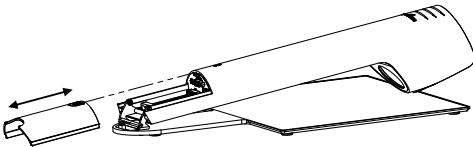
Updates via USB or Ethernet/LAN can be made with the software vSolution Link by WolfVision.

Updates via USB stick need the firmware file to be placed in the folder root:\WOLFVISION\
(default folder can be changed in the on-screen menu Advanced Settings / USB Settings).

Alternatively, the firmware update can be started in the on-screen menu (Advanced Settings / Device Info), provided the Visualizer is connected to the Internet and a nameserver IP address is assigned (Advanced Settings / Ethernet Settings). By selecting the line "Check For FW Update", the Visualizer checks the WolfVision server for newer firmware files. Follow the on-screen instructions to start the update process.

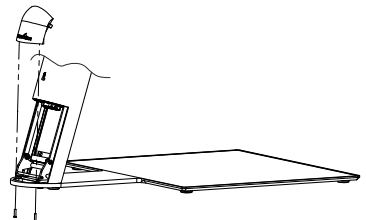
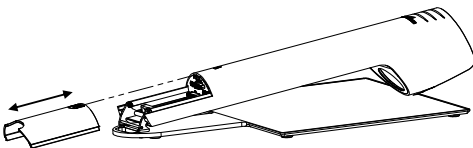
Cable Guide - cables on table top

When the cables are routed on table top, the cable guide should be mounted. Just connect all desired cables, fold the unit, remove the cover and mount the guide with the two supplied screws K25x10 (Torx8).



Cable Shield - cables through table top

When the cables are routed through the table, the cable shield can be mounted. Just connect all desired cables, fold the unit, remove the cover and mount the shield with the two supplied screws K22x10 (Torx6).

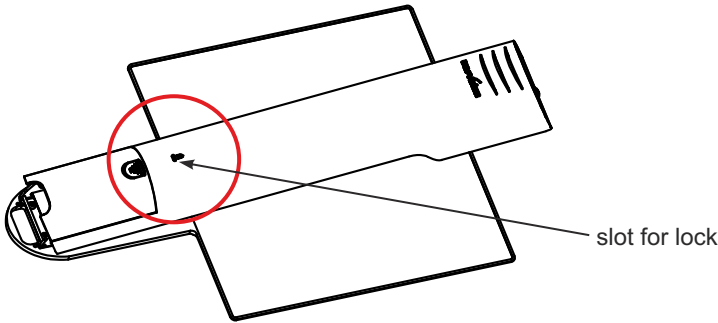


Technical Specifications are Subject to Change!

Anti-theft

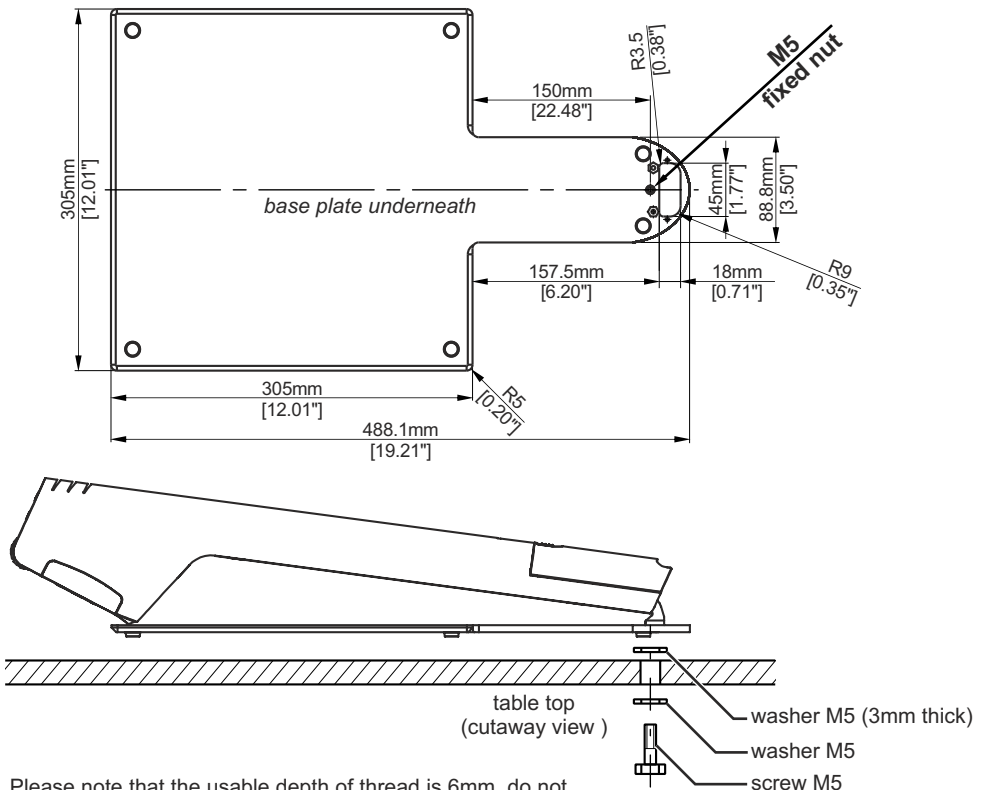
T-bar lock (Kensington® Lock)

The Visualizer can be fixed with a security cable T-bar lock, so that it **can not be stolen**. Follow the instructions from the cable lock manual.



Fixing the Visualizer onto the table

The Visualizer can also be fixed onto table top by using an M5 screw bolt.

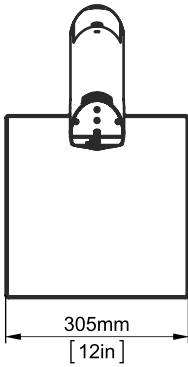
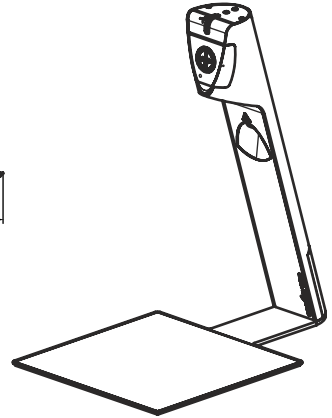
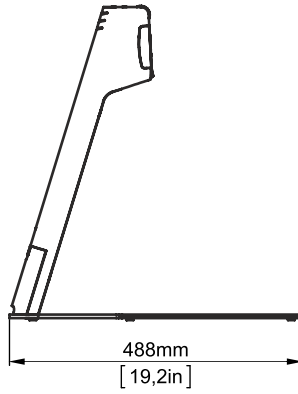
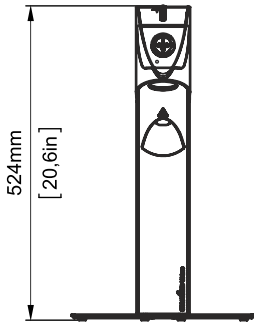


Please note that the usable depth of thread is 6mm, do not screw in more than this.

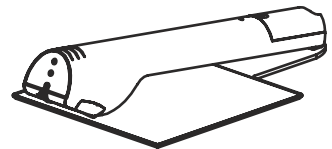
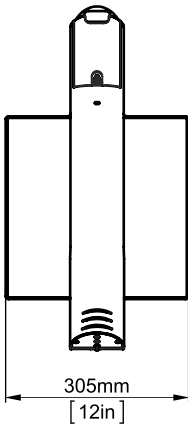
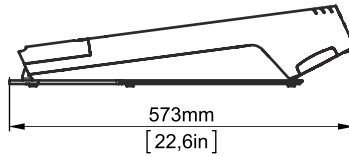
Technical Specifications are Subject to Change!

Dimensions

working position:



closed:



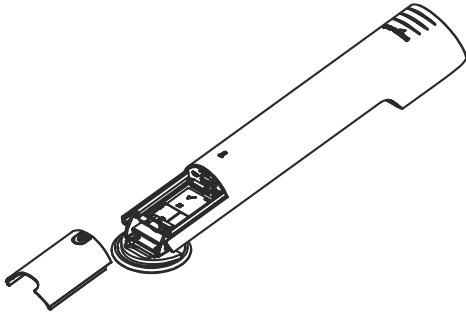
Technical Specifications are Subject to Change!

SWIVEL Plate

With swivel-option, the Visualizer is equipped with the swivel plate instead of the base plate with the working surface. By using the swivel plate, the Visualizer needs fixed onto table top. Depending on how it is installed, the Visualizer can be rotated through 90° either to the right or to the left or it can be mounted fixed. Additionally the risk of theft is minimized.

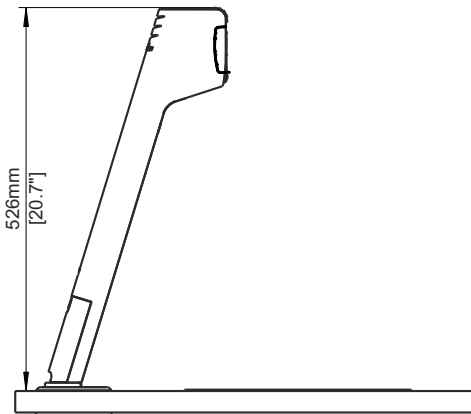
The swivel plate is also available as separate optional accessory.

Please contact your dealer or WolfVision for more details: www.wolfvision.com

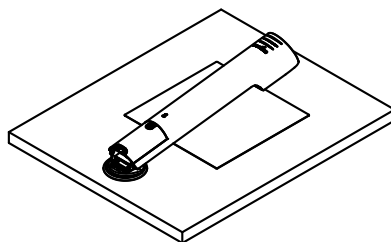
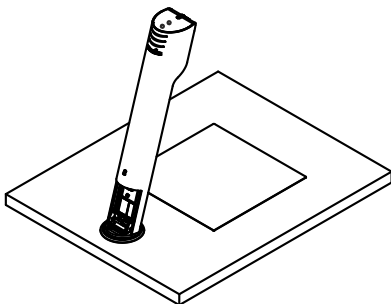
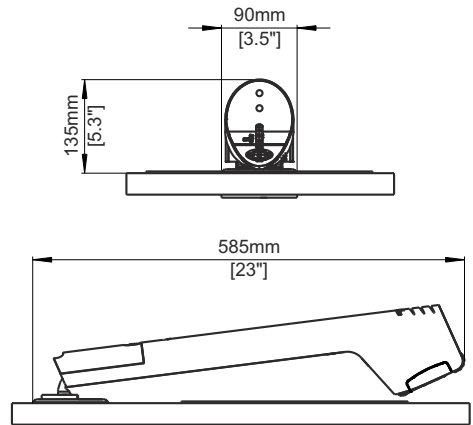


Dimensions (complete dimension drawing available at: www.wolfvision.com)

working position:



closed:



Technical Specifications are Subject to Change!

MOUNTING - for trained personnel only



Visualizer will be screwed onto the table.
Exact marking of the desired position of the Visualizer is very important !
Use mounting tools carefully !



Optional working surface foil is very sticky (adhesive on the back) !
Check finish of the table surface before mounting.
Keep joint area clean, prevent dust and grease to ensure adhesive fastening.



Note instruction manuals of used mounting tools and equipment.
Failure to follow instructions can lead to severe injury !

Preparation

Due to the different installation possibilities of the swivel plate, you have to decide your preferred way of mounting:

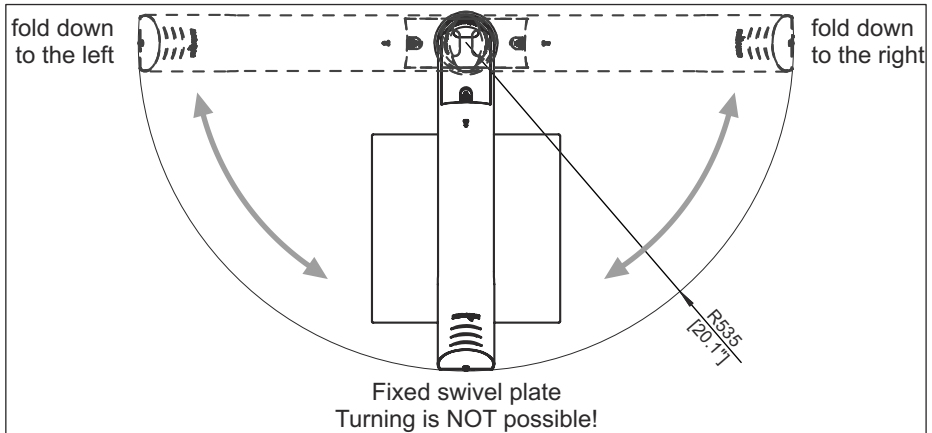
- 1.) turnable (fold down to the left / fold down to the right)
- 2.) not turnable (fixed)

Note space required for mounting.

Allowed thickness of table between 11mm to 35mm [7/16" to 1 3/8"] (with supplied screws).

Note: the screw-tip will protrude underneath when mounting on thin tabletops.

Necessary radius when turning the unit (unit folded down)



Equipment for mounting

Necessary equipment depends on how the Visualizer will be mounted, the list shows the max. necessary tools: bradawl, hole saw \varnothing 69mm to 80mm [2 3/4" to 3 5/32"], screw drivers Torx size 6, 10 and 20

For match-marking use a pencil.

Hint: for easier cleaning afterwards, put masking tape onto the table for match-marking.

Marking Position on Table top

Locate the desired position of the Visualizer and its pick-up area by taking the big template and mark the center line and the top border of the maximum 4:3 pick-up area. Then drill the table drill hole.

Note: the template is showing the left half of the unit and the pick-up area, the right side is identical

Mounting Through drilled Hole in Table

Mount swivel plate by using the opposite mounting plate (raised screw threads facing up) and the screws M4x40mm Torx20 at the drill hole. Cable guide holes should line up together.

Screw in the screws to mount the swivel plate - **do not tighten yet.**

Turn the **swivel top plate** (sectional top plate of the swivel) to access the other thread, screw-in the second screw.

Turn swivel **top plate** depending on desired closing direction:

Fold down to the left: turn top plate counter-clockwise to end position.

Fold down to the right: turn top plate clockwise to end position.

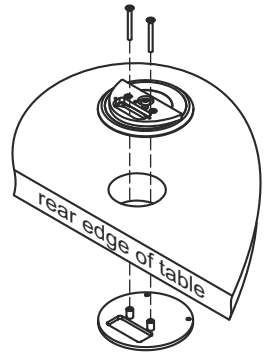
Fixed swivel plate: turn top plate counter-clockwise to end position.

Position the swivel by taking the small template according the desired way of mounting: fixed, turnable (left / right).

Place the cut-out of the template onto the swivel top plate.

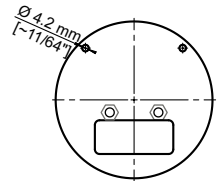
Move the template inclusive **complete swivel unit** until the bottom end and the center line of the template matches the markings on the table top.

Tighten the accessible screw. Turn the swivel top plate to access and tighten the other screw (remove template).



Optional: Secure Opposite Mounting Plate

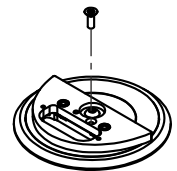
When desired, the opposite mounting plate can be secured by screwing it onto the table plate from underneath (use both empty holes of the plate with diameter $\varnothing 4.2\text{mm}$ [$11/64''$]). Use screws with correct thread and suitable for the table (screws are not included).



Optional: Lock Top Plate of Swivel to fix the turning mechanism

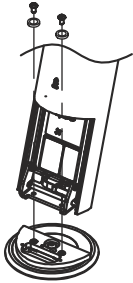
Turn base plate to working position (cable guide holes should line up together). Insert M3x8 screw to lock the turning mechanism.

Visualizer is locked and turning/rotating is **not possible** when the screw is placed.



Mount the Visualizer onto Swivel Plate

Mount the Visualizer onto swivel using both screws M4x8 (Torx 20) and both washers. To access the screw holes, the back cover has to be removed first.



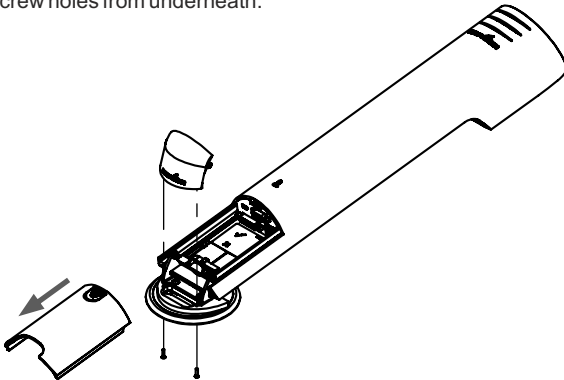
Connect all desired cables and fix them with the cable tie.

To replace the cover, fold the unit and slide it in.

Cables can be routed through table top by using the cable guide holes of the swivel or to the back above table top.

Optional: Mounting Cable Shield (cables routed through table top)

When the cables are routed through the table top, the cable shield can be mounted. Just fold the unit, remove the cable cover (all desired cables have to be connected). Mount the shield with the two supplied screws K22x8 (Torx6). Replace the cover by sliding in. The Visualizer may have to be rotated to access the screw holes from underneath.

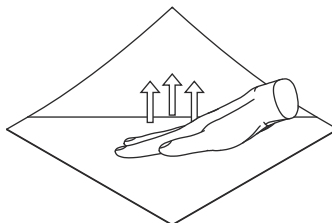
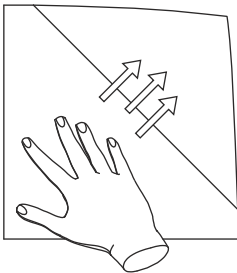


Optional Accessories: Place Working Surface Foil

Connect the Visualizer to a display device and power supply. Lift the arm to working position to switch it on. Clean the table to ensure adhesive fastening.

Zoom to full Wide end position by using the zoom wheel and check position of pick-up area on the display device to place the optional working surface foil.

Peel off the protection foil from backside of the optional working surface foil, attach it onto the table at the previously chosen position (start at one edge and smooth it down to the other edge to prevent air bubbles).



Technical Data

Camera / Technology (Signal format)	CMOS 1/3" Progressive Scan
Pictures per second (as picked up by the camera)	30 frames per second (in all resolutions)
Effective pixels (= actually used for the image)	1920x1080 (=2,073,600), ratio 16:9
Total pixels of camera	1920x1080 (=2,073,600), ratio 16:9
Pixels processed per second (=effective pixels x frames per second)	62,208,000, ratio 16:9
Color reproduction / precision	very good colors / sRGB color precision
Output signals 4:3 and 5:4	SVGA (800x600), XGA (1024x768), SXGA (1280x1024), UXGA (1600x1200)
Output signals 16:9 and 16:10 (native 1080p)	720p HD (1280x720), WXGA* (1280x800), 1080p HD (1920x1080), WUXGA (1920x1200)
WolfVision image processing engine "YSOP1"	yes
Resolution (measured)	980 lines
Brightness Control / Exposure	automatic and manual
White balance adjustment	automatic and manual
Autofocus (Speed) / Manual Focus	yes (continuously working high speed) / yes
On-screen menu and on-screen help	yes
Upgradeable firmware	yes, via USB, Ethernet/LAN and USB stick
Lens / Zoom	12x zoom (6x optical + 2x digital), zoom wheel with multiple speed
Lens type	wide angle, f = 4.7 - 28mm
Max. object height on working surface	200mm [8.0"] in tele position 320mm [12.6"] in wide position
Max. pick-up area on working surface	Length: 290mm [11.42"] / Width: 400mm [15.75"] in 4:3 mode
Min. pick-up area on working surface	66 x 50mm [2.6" x 2.0"] (4:3 mode)
Min. pick-up area on working surface with digital zoom	33 x 23mm [1.3" x 1.0"] (4:3 mode)
Depth of focus on small object (66 x 36 mm)	15mm [0.6"]
Depth of focus on large object (360 x 200 mm)	260mm [10.2"]
Blinding of audience or speaker	none
Light source	Maintenance free high-brightness LED light system (lamp lifetime 30,000h)
Software (USB and LAN) for controlling, image and video capturing and firmware updates	vSolution Link by WolfVision, included (for 32- and 64-bit Windows and Macintosh)
UVC compatible	yes
vSolution Cynap compatible	yes
Reflection free area on working surface	whole pick-up area
Intelligent folding system	yes
User programmable preset	yes
Swivel plate with 90° rotation	depending on purchased model: standard or optional
Special working surface for transparencies	yes (working surface not included with Swivel option)
Dry-erase working surface	optional
Slide pick-up / Bottom light	optional LB9
Seamless cross fading	optional
Built-in digital scaler	yes
Alternative Image display	negative image / negative-blue image / black and white image
HDMI output / DVI and DisplayPort output	yes, inclusive audio support / yes, with optional adapter
External computer input / Input switch	1x HDMI inclusive audio support (DVI or DisplayPort with optional adapter)
USB standard / port	1x USB 2.0 device port (incl. UVC) and 1x USB 2.0 host ports
Ethernet (LAN) LAN port	yes, IP-addressable, 10/100 Mbps
WLAN (WiFi) port	optional n-draft USB dongle (Dualband 2.4GHz and 5GHz)
RS232 port	with optional RS232 > LAN adapter
Web Interface	yes (IP addressed)
Advanced controlling with professional protocol	USB and LAN (WLAN)
Dimensions in operation (L x W x H)	488mm x 305mm x 525mm (19.2" x 12" x 20.7")
Dimensions folded (L x W x H)	574mm x 305mm x 135mm (22.6" x 12" x 5.3")
Weight	3.76kg (8.3lbs)
Power input	12VDC / PoE+
Voltage input (external power pack)	multi range 100 - 240 VAC (24W LPS), weight 0.3kg (0.6lbs)
Power consumption	max. 25.5W (incl. USB extension)
Operating Temperature / Relative Humidity	0°C - 40°C (32°F - 104°F) / 40 - 60%rel
Anti-theft device	yes, T-Lock (Kensington Lock®) and table lock bolt
Warranty	5 years
Made in	Austria (European Union)

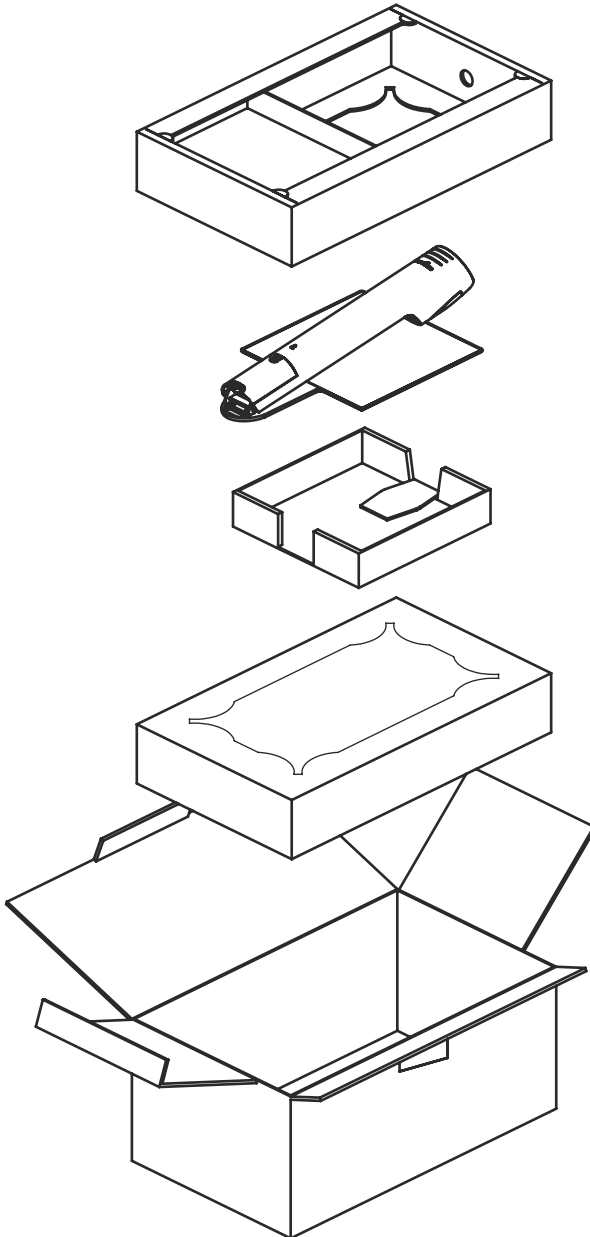
Please note: Due to technical improvements all specifications are subject to change!

Packaging / Transportation

IMPORTANT

Please make sure that you pack up the Visualizer in the supplied box as explained in the graphic below. This is very important to avoid damage to sensitive parts of the unit!

Accessories are placed in the top layer carton box.

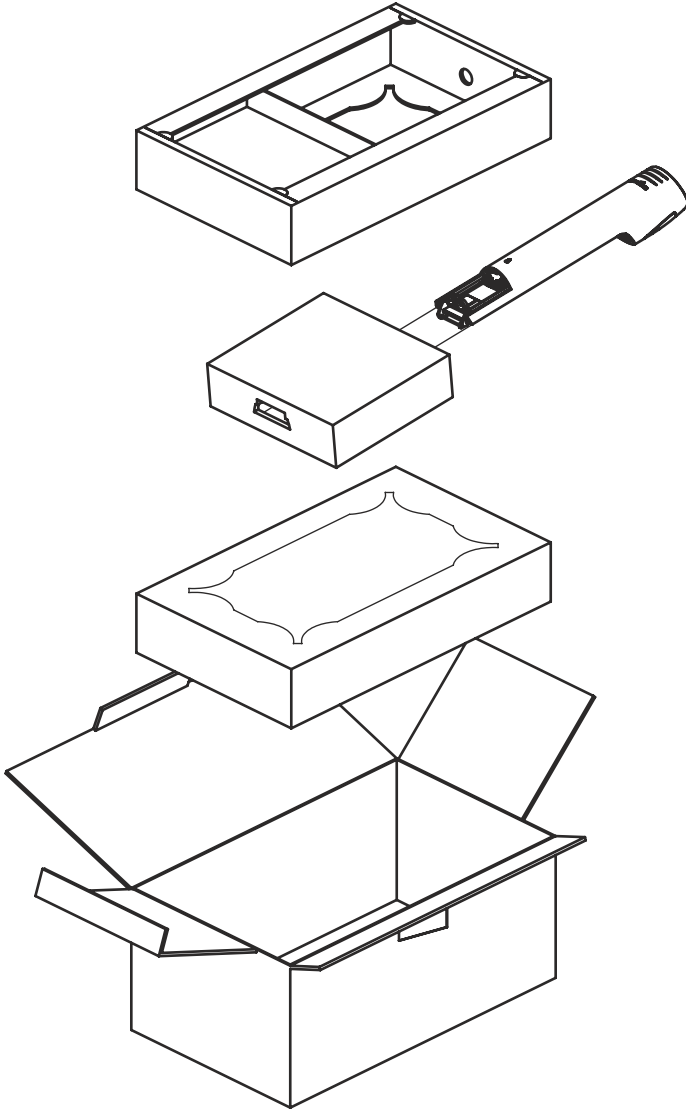


Packaging / Transportation with Swivel

IMPORTANT

Please make sure that you pack up the Visualizer in the supplied box as explained in the graphic below. This is very important to avoid damage to sensitive parts of the unit!

Accessories are placed in the top layer carton box.



CODES - Short Keys

One Push White Balance:

Press the **LIGHT** key (#15) for 2 seconds to perform one push white balance.

Activating the on-screen menu:

Press the **MENU** key (#21) to activate the on-screen menu. Use the navigation keys (**SOURCE** #16, **FREEZE** #18, **PRESET** #17 and **AF** #20) to navigate and the **MENU / OK** key (#21) to confirm. For the help function, press and hold the **MENU / ?** key (#21).

Activating the on-screen Extra menu:

Press and hold the **MENU** key (#21) until the extra menu appears.

Resetting the output mode to the default of "XGA at 60Hz":

Press and hold the **POWER** key (#14) for more than 4 seconds.

Storing Preset 1:

Press the **PRESET** key (#17) on the camera head for 2 seconds.

Recalling Preset 1:

Press the **PRESET** key (#17) on the camera head quickly.

Focus manually:

Press and hold the **AF** key (#20) for two seconds. Use the navigation keys up/down (**SOURCE** #16 / **FREEZE** #18) to focus near/far. Use the **AF** key again to return to normal operation mode.

Vorsichtsmaßnahmen

DEUTSCH



WARNUNG!

Elektroschockrisiko
gefährliche Spannungen
im Geräteinneren



Angeführte Vorsichtsmaßnahmen unbedingt beachten:

Das Gerät nur mit der auf dem Typenschild angegebenen Spannung betreiben!

Das Gerät vor Hitze und Feuchtigkeit schützen!

Das Gerät vor Erschütterung schützen!

Bitte darauf achten, dass eine ausreichende Luftzirkulation zur Kühlung des Gerätes möglich ist (Lüftungsschlitze auf der Rückseite)!

Bei jeder Art von Störungsanzeichen (abnormale Geräusche, Geruch, Rauchentwicklung, etc.) das Gerät abschalten. Setzen Sie sich mit Ihrem Visualizer-Händler in Verbindung!

Niemals ein beschädigtes Netzkabel / Netzteil verwenden. Andernfalls kann es zu Kurzschlüssen und zu elektrischen Schlägen kommen!

Am Gerät keinerlei Umbauten vornehmen und das Gerät niemals ohne Gehäusedeckel in Betrieb nehmen!

Keine entflammaren oder metallischen Gegenstände oder Flüssigkeiten in das Geräteinnere dringen lassen!

Das Gerät nicht im Bereich von starken Magnetfeldern und elektrischen Feldern in Betrieb nehmen!

Das Gerät nicht im Wirkungsbereich von Röntgenstrahlung betreiben. Dadurch können Teile der Kamera beschädigt werden.

Das Netzkabel und den Netzstecker niemals mit feuchten Händen berühren!

Wird das Gerät längere Zeit nicht benutzt, so ziehen Sie bitte den Netzstecker!

Das mitgelieferte HDMI Kabel ist für Demozwecke konzipiert. Für die finale Installation ist ein qualitativ hochwertiges Kabel einzusetzen.

Verwenden Sie das mitgelieferte 12Vdc-Netzteil. Alternativ kann ein PoE+ Injektor verwendet werden (Der PoE+ Injektor muss zertifiziert sein nach IEC/EN/UL/CSA 60950-1 oder 62368-1 und muss dem Industriestandard IEEE802.3at-2009 entsprechen).

Vorsichtsmaßnahmen für die LED-Beleuchtung nach EN62471:



LED-Beleuchtungssystem - Nicht direkt den Lichtstrahl blicken!

LED-Beleuchtungssystem nicht modifizieren!

Lichtstrahl nicht mit optischen Instrumenten betrachten!

Prüfungen



FCC Regulatory Information *(original Text)*

This equipment has been tested and found to comply with the limits for a Class A digital device, pursuant to part 15 of the FCC Rules. These limits are designed to provide reasonable protection against harmful interference when the equipment is operated in a commercial environment. This equipment generates, uses, and can radiate radio frequency energy and, if not installed and used in accordance with the instruction manual, may cause harmful interference to radio communications. Operation of this equipment in a residential area is likely to cause harmful interference in which case the user will be required to correct the interference at his own expense.

If this equipment does cause interference with radio communications services, which can be determined by turning the equipment off and on, you are encouraged to try to correct the interference by one or more of the following measures:

- Reorient or relocate the receiving antenna.
- Increase the separation between the equipment and receiver.
- Connect the equipment into an outlet on a circuit different from that to which the receiver is connected.

Consult the dealer or an experienced radio/TV technician for help.

This device complies with part 15 of the FCC rules. Operation is subject to the following two conditions:

- (1) This device may not cause harmful interference, and
- (2) this device must accept any interference received, including interference that may cause undesired operation.

Information für den Benutzer und Integrator:

Dieses Gerät wurde entwickelt, geprüft und produziert, entsprechend lokaler Direktiven und Normen, wie z. B. EMC, ANSI/UL Standard 62368-1 und CAN/CSA Standard C22.2 No. 62368-1 und dem CB-Schema. Für weitere Informationen kontaktieren Sie bitte Ihren Händler oder WolfVision (www.wolfvision.com).

Es wird darauf hingewiesen, dass nicht ausdrücklich genehmigte Änderungen oder Modifikationen zum Erlöschen der Betriebserlaubnis führen können!

Weltweite Patente

EU 0 362 737	KR 128059	AU 765617
DE P58907684.1-08	US 5,027,219	CN ZL99118847.0
CN 89107780.4	EU 0 987 874	und weitere
JP 1725033	JP 3 544 900	

Copyright Information

Copyright © WolfVision. Alle Rechte vorbehalten.

WolfVision, Wofu Vision und 沃福视讯 sind registrierte Warenzeichen der WolfVision Holding AG, Austria.

Dieses Dokument darf ohne vorherige schriftliche Zustimmung von WolfVision weder als Ganzes noch in Teilen mit irgendwelchen Mitteln kopiert, reproduziert oder übertragen werden. Ausgenommen sind Kopien, die vom Benutzer zu Sicherungszwecken aufbewahrt werden.

Im Interesse einer ständigen Produktverbesserung behält sich WolfVision das Recht vor, die Produktspezifikationen ohne Ankündigung zu ändern.

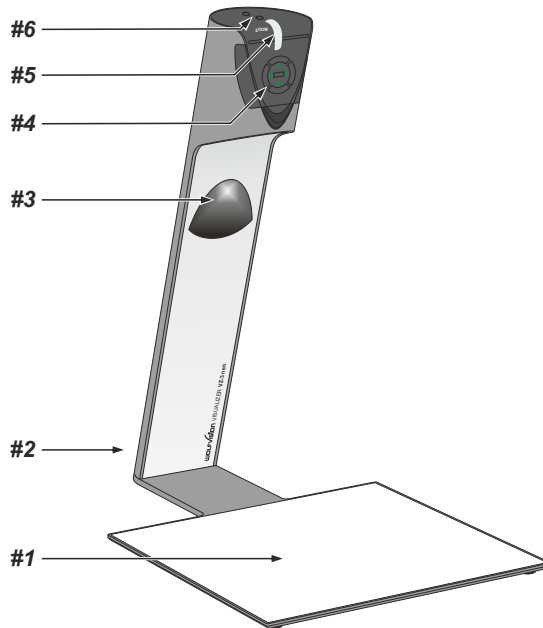
Änderungen an diesem Dokument bleiben vorbehalten.

Haftungsausschlussklärung: WolfVision ist nicht haftbar für technische und redaktionelle Fehler und Unvollständigkeit.

Die Geräte sind "MADE IN EU/AUSTRIA"

Gedruckt in Österreich, Dezember 2016

Teile des Visualizers



#1 Arbeitsplatte (siehe Seite 6)

Nicht inkludiert mit der Swivel-Option.

Die Swivel-Platte muss auf dem Tisch montiert werden, siehe Seiten 28 ff.

#2 Anschlüsse (auf der Geräterückseite unter der Kabelabdeckung - siehe unten)

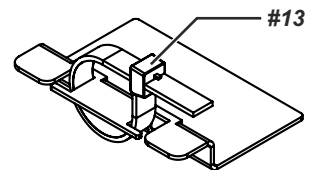
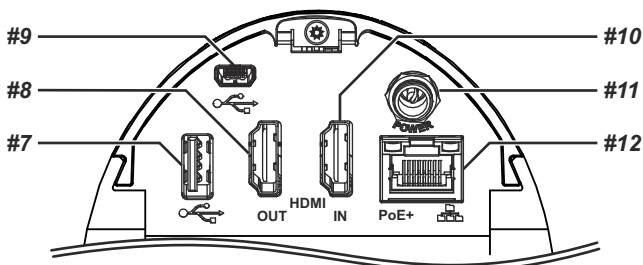
#3 Beleuchtung (wartungsfreie LED)

#4 Steuertasten (siehe nächste Seite)

#5 Zoom Rad (siehe nächste Seite)

#6 Power und Light Tasten (siehe nächste Seite)

Anschlüsse (#2)



#7 USB Anschluss für Peripherie (Clients, USB-Massenspeichergeräte) (siehe Seiten 9, 10 und 13)

#8 HDMI OUT Ausgang (siehe Seite 12)

#9 USB Anschluss zum Computer (Host) (siehe Seite 13)

#10 HDMI IN Eingang für externe HDMI-Signale (siehe Seiten 9 und 12)

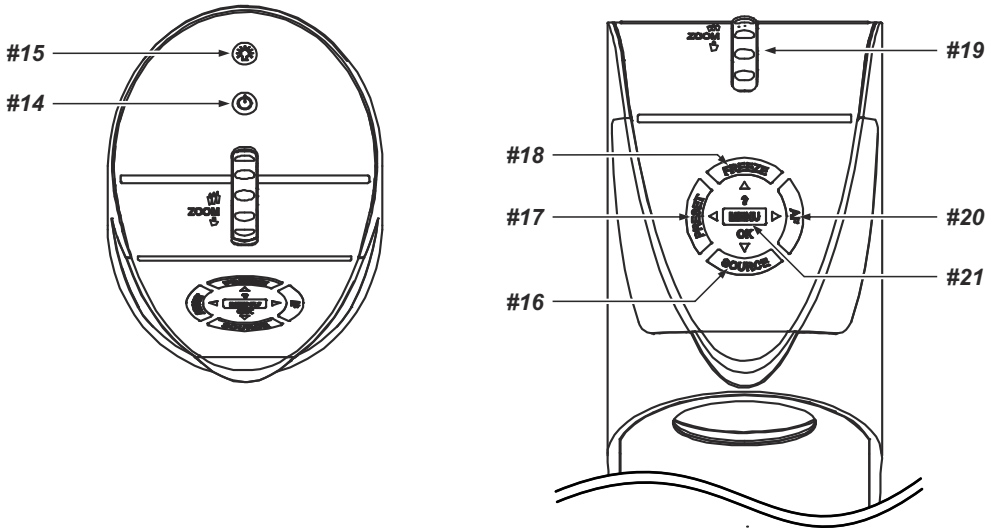
#11 Stromanschluss 12V DC

#12 LAN Anschluss 10Base-T/100Base-TX mit PoE+ Funktionalität (siehe Seiten 13 und 14)

#13 Kabelbinder zur Kabelfixierung (zum Lösen drücken Sie die Lasche)

Steuertasten (#4), ZoomRad (#5) und Power/Light Tasten (#16)

Das Bedienkonzept der portablen WolfVision Visualizer sieht vor, dass sich am Gerät selbst nur die wichtigsten Tasten befinden. Dadurch kann jeder den Visualizer sofort auch ohne Einschulung bedienen:



#14 POWER Taste

Schaltet das Gerät ein und aus. Beim Einschalten wird der Power-On Preset automatisch ausgeführt.

#15 LIGHT Taste

Schaltet das Licht des Visualizers ein und aus. Die LED neben der Taste zeigt den aktuellen Status. Durch Drücken der LIGHT Taste für 2 Sekunden wird ein One Push Weißabgleich durchgeführt (siehe Seite 8).

#16 SOURCE Taste / Menü: Navigationstaste - ab

Wechselt zwischen Visualizer Bild, externe Quelle und USB Speicher (siehe Seite 9).

Bei aktiviertem On-Screen Menü arbeitet die Source Taste als Menü Navigationstaste (siehe Seite 11).

#17 PRESET Taste / Menü: Navigationstaste - links

Kurzes Drücken = PRESET 1 abrufen

Mehr als 2 Sekunden drücken = PRESET 1 speichern (siehe Seite 7).

Bei aktiviertem On-Screen Menü arbeitet die PRESET Taste als Menü Navigationstaste (siehe Seite 11).

#19 FREEZE Taste / Menü: Navigationstaste - auf

Friert das aktuelle Bild ein (Standbild). Die LED neben der Taste zeigt den aktuellen Status (siehe Seite 7).

Bei aktiviertem On-Screen Menü arbeitet die FREEZE Taste als Navigationstaste (siehe Seite 11).

#19 ZOOM Rad

Durch Drehen des ZOOM-Rades nach unten zoomt der Visualizer in Richtung Tele-Position, nach oben in Richtung Weitwinkel. Je weiter das ZOOM-Rad gedreht wird, umso schneller zoomt der Visualizer.

#20 AUTO FOCUS (AF) Taste / Menü: Navigationstaste - rechts

Schaltet den Autofokus ein und aus. Die LED neben der Taste zeigt den aktuellen Status (siehe Seite 7).

Drücken und Halten für zwei Sekunden aktiviert den manuellen Fokus Modi, fokussiere mit den Navigationstasten auf / ab.

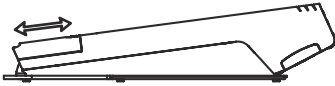
Bei aktiviertem On-Screen Menü arbeitet die AF Taste als Navigationstaste (siehe Seite 11).

#21 MENU Taste / Menü: OK Taste und HELP (Hilfe) Taste

Öffnet das On-Screen Menü (siehe Seite 11).

Bei aktiviertem On-Screen Menü arbeitet die MENU Taste als OK Taste. Drücken und Halten für zwei Sekunden öffnet die Hilfefunktion (siehe Seite 11).

Aufstellen des Visualizers (Swivel Option: bereits montiert)

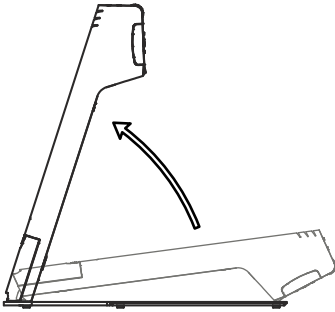


1. Entfernen Sie die Kabelabdeckung.
2. Ausgabegerät (Projektor, Monitor, Videokonferenzanlage, etc.) an den passenden Ausgang des Visualizers anschließen (#8, #9 oder #12) und Kabel mit dem Kabelbinder fixieren.

WICHTIG:

Benutzen Sie Kabel ohne Entstördrossel, andere Kabel können das Gelenk blockieren!

Lesen Sie bitte unbedingt die Hinweise zur Auswahl des richtigen Ausganges auf Seite 12!



3. Netzgerät am Power-Eingang anschließen (#11 oder #12).
4. Kabelabdeckung komplett einschieben.
5. Arm nach oben klappen. Der Visualizer schaltet sich beim Aufstellen automatisch ein. (Alternativ kann der Visualizer mit der POWER Taste eingeschaltet werden.)

Power-On Preset:

Beim Einschalten des Visualizers werden automatisch folgende Einstellungen hergestellt: Aufnahme­fläche ca. 20 x 15 cm (A5), Autofokus an, Autoiris an. Sobald die POWER LED durchgehend grün leuchtet, ist der Visualizer betriebsbereit.

(Das Verhalten des Gerätes beim Einschalten oder nach dem Drücken der POWER Taste kann im On-Screen Menü geändert werden (siehe Seite 10).

Erstmaliges Einschalten des Visualizers - Setup Assistent

Beim ersten Einschalten des Visualizers startet der Quick Setup Guide automatisch (On-Screen Menü am HDMI Ausgang). Navigieren Sie mit den Pfeil Tasten und der OK Taste durch dieses Menü.

Die Einstellungen sind:

Sprache (Language)

Wählen Sie die gewünschte Sprache für das On-Screen Menü.

Netzwerk Einstellungen (Ethernet Settings)

Die IP-Adresse, Subnetzmaske und die Gateway IP-Adresse kann von einem DHCP-Server automatisch bezogen oder manuell gesetzt werden.

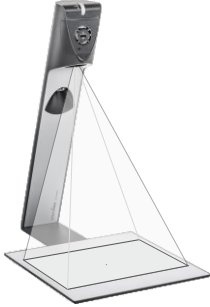
Zeit Einstellung (Time Settings)

Der Visualizer hat eine eingebaute Uhr bietet aber auch die Möglichkeit der Verwendung eines externen TimeServers (Voraussetzungen: gültige TimeServer IP-Adresse und eine Internetverbindung).

Audio Einstellung (Audio Settings)

Ermöglicht die Konfiguration der Audio Ein- und Ausgänge.

Positionieren auf der Arbeitsfläche



Positionieren Sie die Objekte auf der Arbeitsfläche mit Hilfe des angeschlossenen Monitors oder Projektors.

Sollten Reflexionen auftreten, so schalten Sie die eingebaute Beleuchtung ab und arbeiten mit Raumlicht. Bitte beachten Sie, dass auch das normale Raumlicht Reflexionen bewirken kann.

Arbeitsplatte (#1)

Die Arbeitsplatte des Visualizers hat eine besondere kristallin-weiße Oberfläche, welche speziell für die Wiedergabe von Folien ausgelegt ist.

Für folgende Anwendungen empfiehlt sich jedoch die Verwendung einer optionalen Lichtbox:

- Wenn die Overheadfolien sehr dunkel sind
- Wenn die Overheadfolien sehr wellig sind und Reflexionen verursachen
- Wenn das Raumlicht Reflexionen auf der Overheadfolie verursacht

Die Arbeitsfläche ist bei der Swivel-Option nicht inkludiert.

Optional: Whiteboard Folie

Die optionale Whiteboard Folie (Dry Erase) kann für direkte Bemerkungen und Notizen mit speziellen Whiteboard Stiften verwendet werden.

Weitere Informationen über Whiteboard Stifte und Reinigungsschwämme finden Sie unter folgendem Link:

www.wolfvision.com (Produkte / Zubehör)

Fokussierung / Autofokus

Beim Einschalten des Visualizers wird automatisch auf das aufgenommene Objekt fokussiert. Bitte beachten Sie, dass kontrastschwache Objekte (wie z.B. ein leeres Blatt Papier) schwierig zu fokussieren sind. In einem solchen Fall bewegen Sie das Objekt ein wenig.

Für spezielle Anwendungen kann der Autofokus mit der AF Taste (#20) deaktiviert werden. Um manuell zu Fokussieren, halten Sie die AF Taste für 2 Sekunden gedrückt und fokussieren dann mit den Navigationstasten auf/ab (#16/#17). Drücken Sie die AF Taste erneut um in den normalen Betriebsmodi zurückzukehren. Solange der manuelle Fokusmodi aktiv ist, blinken die Pfeil LEDs. *Die Autofokus-Meßmethode (Mehrfeld oder Spot/Zentrum) kann im On-Screen Extra Menü geändert werden (siehe Seite 11).*

Zoom optisch / digital

Der Visualizer verfügt über ein **optisches Zoom** für volle Auflösung, der Zoombereich wird durch ein digitales Zoom erweitert. Beim weiteren Hineinzoomen wird das Digital-Zoom automatisch aktiviert. Bitte beachten Sie, dass im digitalen Zoombereich die Auflösung nicht mehr so hoch ist wie im optischen Zoombereich. Bei Standardeinstellung erscheint eine Meldung am Bildschirm, sobald sich der Visualizer im digitalen Zoombereich befindet.

Sie können das Verhalten im digitalen Zoombereich im On-Screen Menü ändern (siehe Seite 11).

Daten:

12x Zoom (6x optisch und 2x digital)

kleinster Aufnahmebereich auf der Arbeitsfläche: 33x26mm

kleinster Aufnahmebereich auf der Arbeitsfläche in voller Auflösung: 66x50mm

größter Aufnahmebereich auf der Arbeitsfläche: 400x290mm

Automatische / Manuelle Helligkeitsregelung (Blende)

WolfVision Visualizer sind mit einer automatischen Bildhelligkeitsregelung ausgestattet. Das heißt, dass sich die Helligkeit des Kamerabildes immer automatisch einstellt. Mit der Funktion Bildhelligkeit im On-Screen Menü kann das Bild manuell heller oder dunkler gestellt werden (Belichtungseinstellung).

Bei Aufnahme von Bereichen mit sehr hellen Bildbereichen kann die Gegenlichtkompensation (Back Light Compensation) aktiviert werden - siehe Seite 11 und On-Screen Hilfe.

Preset Funktion (Voreinstellung)

WolfVision Visualizer bieten die Möglichkeit, die augenblicklichen Einstellungen als Preset abzuspeichern und über die PRESET Taste (#17) wieder abzurufen.

Um eine Preset-Einstellung zu programmieren, stellen Sie zuerst alle gewünschten Einstellungen her und drücken dann die Preset-Taste für mehr als 2 Sekunden. Am Bildschirm erscheint eine Meldung, sobald die Einstellungen übernommen wurden.

Im Gegensatz zu der hier erwähnten Preset Speicherung, bei der alle augenblicklichen Einstellungen wie Zoom, Focus, Iris etc. mitgespeichert werden, können der PRESET-Taste auch einzelne Funktionen wie z.B.: "LIGHT", "NEGATIVE", "NEGATIVE/BLUE", "BLACK/WHITE", "FREEZE" etc. im On-Screen Menü zugewiesen werden (siehe Seite 11).

Tip:

Bei Aufnahme von Dokumenten im Hoch- und Querformat kann der Preset Taste die Funktion „SEITENVERHÄLTNIS“ zugewiesen werden. Dadurch wechselt der Kameraaufnahmemodi zwischen 4:3 und 16:9.

Freeze (Standbild)

Das aktuell gezeigte Live-Bild kann durch Drücken der FREEZE Taste (#18) eingefroren werden. Während das eingefrorene Bild gezeigt wird, kann das nächste Objekt vorbereitet werden.

Weißabgleich

WICHTIG

Eine korrekte Weißabgleich-Einstellung ist sehr wichtig für eine exakte Farb-Wiedergabe! Immer wenn sich die Lichtbedingungen ändern, muss die Kamera des Visualizers einen Weißabgleich durchführen um korrekte Farben wiedergeben zu können. Die Lichtbedingungen (Farbtemperatur) ändern sich z.B., wenn zwischen dem Licht des Visualizers und einer externe Lichtbox gewechselt wird, oder wenn die Raumbelichtung ein- bzw. ausgeschaltet wird.

Die Standardeinstellung des Visualizers ist **"Auto Tracking"** Weißabgleich. Das heißt, dass der Weißabgleich ständig automatisch nachjustiert wird.

Für einen exakten Weißabgleich sollten mindestens 10% des aufgenommenen Bildes weiß sein. Für eine präzise, fixe Weißabgleichseinstellung verwenden Sie den "One-Push"-Weißabgleich (=Weißabgleich auf Tastendruck). Der "One-Push"-Weißabgleich wird durch Drücken der LIGHT Taste (#11) für 2 Sekunden ausgeführt (oder der programmierten PRESET Taste). Nach Speichern des neuen Weißwertes erscheint eine Meldung auf dem Bildschirm und der "Auto Tracking" Modus wird abgeschaltet (nach Aus- und Einschalten des Gerätes wird "Auto Tracking" wieder aktiviert).

Normalerweise ist es nicht nötig, einen manuellen Weißabgleich durchzuführen. Wenn jedoch die Farben auf Ihrem Bildschirm falsch erscheinen, sollte ein manueller (One-Push) Weißabgleich durchgeführt werden:

Tipps beim Ausführen eines One-Push Weißabgleiches:

Oberlicht:

Zoomen Sie auf einen weißen Gegenstand (z.B. weißes Blatt Papier), bis das gesamte Bild weiß ist und drücken dann die LIGHT Taste für 2 Sekunden.

Lichtbox mit Overheadfolien:

Schalten Sie das Visualizer-Licht mit der LIGHT Taste aus und die Lichtbox ein. Entfernen Sie alles von der Arbeitsfläche und zoomen Sie auf die kleinste Bildgröße, bis das gesamte Bild weiß ist und drücken dann die LIGHT Taste für 2 Sekunden.

Lichtbox mit Röntgenbildern:

Schalten Sie das Visualizer-Licht mit der LIGHT Taste aus und die Lichtbox ein. Positionieren Sie das Röntgenbild auf der Arbeitsfläche und zoomen Sie hinaus, bis das gesamte Bild abgetastet wird und drücken dann die LIGHT Taste für 2 Sekunden.

Bitte beachten Sie: Falsche Farben können auch auf falsche Monitor- oder Projektor-Einstellungen zurückzuführen sein. Es wird empfohlen, zuerst beim Visualizer einen manuellen Weißabgleich durchzuführen, und wenn dieser kein zufriedenstellendes Resultat liefert, die Einstellungen des Monitors oder Projektors zu überprüfen.

*Für Spezialisten: Im On-Screen Menü des Visualizers (siehe Seite 11) kann zwischen den Weißabgleichs-Arten **"Auto Tracking"**, **"One Push"** und **"Manual"** umgeschaltet werden. Wenn Sie mit Negativfilmen auf einer Lichtbox arbeiten, benutzen Sie einen leeren (dunklen) Teil des Filmes für den Weißabgleich. Der "One-Push"-Weißabgleich wird für das Oberlicht und externe Lichtbox (kein Licht) separat eingestellt und abgespeichert.*

Optional: Lichtbox

Wenn eine Lichtbox benutzt wird, sollte das Licht des Visualizers mit der LIGHT Taste abgeschaltet werden. Für den Visualizer empfiehlt sich die Verwendung der WolfVision Lichtbox LB-9.

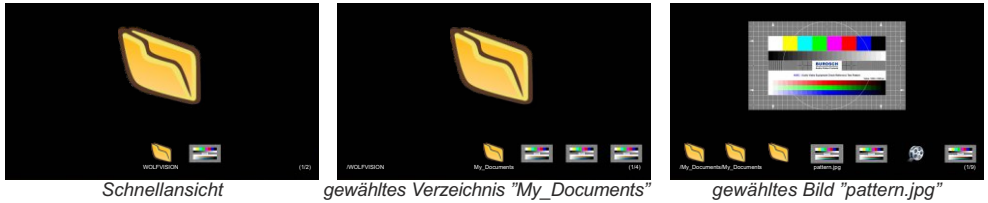
SOURCE (Quelle), USB und HDMI IN

USB Modus

Die SOURCE Taste (#16) wechselt zwischen externer Quelle (falls angeschlossen), USB Stick und dem Livebild der Kamera. Im USB Modus gibt der Visualizer eine Schnellansicht der gespeicherten Bilder aus. Zusätzlich wird eine Statuszeile mit Bildinformationen am unteren Bildrand angezeigt.

Durch Drücken der SOURCE Taste wechselt der Visualizer zurück zum Livebild. Die Präsentation bleibt beim zuletzt gezeigten Bild stehen, für eine Fortsetzung benutzen Sie die SOURCE Taste erneut.

Zur Auswahl eines der dargestellten Bilder verschieben Sie die Bildlaufleiste mit den ZURÜCK/VORWÄRTS Tasten (#17/#20) und drücken Sie dann die OK Taste (#21). Benutzen Sie die ZURÜCK/VORWÄRTS Tasten um das vorige/nächste Bild darzustellen. Mit der OK Taste kehren Sie zur Schnellansicht zurück.



Im On-Screen Menü können Bilder und Videos gelöscht werden.

Benutzen Sie Ihren Computer zur Organisation des USB Speichersmediums, wie Erstellen oder Löschen von Verzeichnissen, Verschieben und Löschen von Bildern oder Formatieren des USB-Speichersmediums.

Bei einer Formatierung des USB-Speichersmediums werden alle darauf befindlichen Daten gelöscht!

Unterstütztes File System Format ist FAT16 und FAT32.

Unterstütztes Bilddateiformat ist JPG.

*Unterstütztes Videoformat ist AVI-Container mit Codec H.264 (Dateierweiterung lautet *.avi).*

HDMI IN - externer Eingang (#16)

Ein Computer (oder eine andere HDMI Quelle) kann am **HDMI IN** des Visualizers angeschlossen werden. Die SOURCE Taste (#16) wechselt zwischen externer Quelle, USB Stick (falls angeschlossen) und dem Livebild der Kamera. Im Extern Modus gibt der Visualizer das Signal der externen Quelle aus.

Der Visualizer hat einen eingebauten D/D- und D/A-Wandler, um das digitale Signal des Computers zu konvertieren und auf HDMI (Audio wird unterstützt) und RGB im gewählten Signalformat auszugeben.

Unterstützte Auflösungen: diverse Auflösungen im Bereich von VGA (640x480@60Hz) bis WUXGA (1920x1200@60Hz) mit diversen Auflösungen und Vertikalfrequenzen in diesem Bereich.

In Abhängigkeit der Eingangsauflösung sind schwarze Balken möglich.

Folgende Daten werden bereitgestellt:

Plug & Play Monitor VESA DDC

Monitor Name: "WolfVision"

Videoeingangsdefinition: digitales Signal

Vertikalfrequenz Limit: 50Hz - 60Hz

Horizontalfrequenz Limit: 20kHz - 75kHz

Maximaler Pixel Clock: 170MHz

Gamma: 2.2

Bevorzugte Auflösung: 1080p (1920x1080) @60Hz

Eingebauter Scaler (für HDMI IN und USB-Stick)

Der Visualizer hat einen eingebauten, digitalen Scaler. Dieser verarbeitet das Signal der externen Eingänge und passt den Ausgangsmodus dem Visualizer-Bild an (Beispiel: Wenn der Visualizer eingestellt ist, ein 1080p (FullHD)-Bild auszugeben, und der Computer ein XGA-Signal ausgibt, dann wandelt der Scaler das XGA-Signal des Computers auf 1080p um. Dadurch muss sich der Projektor beim Umschalten zwischen Computer und Visualizer-Bild nicht neu synchronisieren.)

Zudem rechnet der Scaler Bilder von einem angeschlossenen USB-Stick automatisch auf die aktuelle Ausgangs-Auflösung um.

Die Ausgangsauflösung des Visualizers kann im On-Screen Menü geändert werden (siehe Seite 11).

Bild in Bild (PiP) / Livebild zu Standbild-Vergleich



Der Bild in Bild Modus (PiP) bietet die Möglichkeit zwei verschiedene Bilder zur selben Zeit auf demselben Bildschirm zu zeigen. Drücken Sie dazu die PiP Taste (*programmierte PRESET Taste*) um den Picture in Picture Modus zu aktivieren.

Das aktuelle Bild (z.B. externes Signal, Bildspeicher) wird klein in der linken, unteren Ecke und das Live Bild größer in der rechten oberen Ecke angezeigt. Der Inhalt des Live Bildes kann geändert werden, z.B. Aufrufen eines gespeicherten Bildes.

Folgende Vergleiche sind möglich: HDMI-In, Bildspeicher, Live Bild. Der Bildinhalt des kleinen Bildes wird eingefroren, außer wenn das Signal vom Externen Eingang kommt.

Das Verhalten des PiP Modus kann im On-Screen Menü, Ausgangseinstellungen, geändert werden (siehe Seite 11).



Die nachfolgenden Kapitel sind nur für technisch versierte Anwender: ON-SCREEN MENÜ (Kamera Menü) / ON-SCREEN HILFE

Für normale Standard Anwendungen des WolfVision Visualizers ist es nicht notwendig, im On-Screen Menü Einstellungen vorzunehmen. Unerfahrene Anwender sollten hier keine Änderungen durchführen.

Drücken Sie die MENU Taste (#21) um in das On-Screen Menü zu gelangen. Einstellungen können nun mit den 4 Menü-Navigations-Tasten (=Tasten mit den Pfeilen #16, #17, #18 und #20) vorgenommen werden, drücken Sie die OK Taste zur Bestätigung (#21).

Wenn Sie weitere Informationen über eine Funktion im On-Screen Menü benötigen, setzen Sie den Cursor in die entsprechende Zeile, drücken und halten Sie die ? Hilfe Taste (#21). Eine genaue Beschreibung der Funktion erscheint dann im Bild.

Durch Drücken der MENU Taste für 4 Sekunden erscheint das Extra Menü. Im Extra Menü kann z.B. die Autofokus-Meßmethode geändert, oder das Zoomrad neu kalibriert werden. Durch Aufruf der Werkseinstellungen werden alle Einstellungen wie auch Auflösung und IP Adressen zurückgesetzt.

Die einzelnen Funktionen des Menüs sind in dieser Anleitung nicht im Detail beschrieben, da die Hilfe-Funktion ein integrierter Bestandteil der Visualizer Software (Firmware) ist. Die im Bild eingeblendeten Hilfetexte entsprechen der installierten Gerätesoftware (Firmware) des Visualizers.

Belichtungseinstellungen

Ändert Einstellungen mit Auswirkung auf die Bildhelligkeit wie z. B. Verstärkung, Belichtungszeit, automatische Blende, Bildhelligkeit und Gegenlichtkompensation.

Farbeeinstellungen

Ändert Einstellungen mit Auswirkung auf die Farbwiedergabe der Kamera wie z. B. Weißabgleich, Farbwiedergabemodi und Positiv/Negativ.

Tip:

Falls Ihnen das Bild auf Ihrem Bildschirm zu hell oder zu dunkel erscheint beziehungsweise die Farbsättigung nicht stimmt, kann der Farbmodus geändert werden.

Für bessere Lesbarkeit von handgeschriebenen Texten kann der BLAU Modus verwendet werden.

Ausgangseinstellungen

Ändert Einstellungen mit Auswirkung auf die Ausgangssignale wie Schärfe und Auflösung.

Tip:

Die Auflösungstestfunktion hilft zur Erkennung der vom Wiedergabegerät unterstützten Auflösungen. Die gewählte Auflösung wird nur temporär für 10 Sekunden aktiviert.

Voreinstellungen (Preset)

Ändert Einstellungen mit Auswirkung auf die Preset Tasten. Die Preset Tasten können auch mit anderen Funktionen belegt werden. Es können hier auch die ursprünglichen Einstellungen wieder hergestellt werden.

Erweiterte Einstellungen

Ändert Einstellungen mit Auswirkung auf das Einschaltverhalten, Digitalzoom, Netzwerk, Zeit/Datum und USB Stick.

Tip:

Ändern des Ausschaltzustandes auf "ÖKO" oder "TIEF" spart im StandBy Modus zusätzlich Energie.

Unter "Geräte Info" finden Sie Informationen wie die Versionsnummer der aktuell installierten Firmware.

Grundeinstellungen Herstellen

Bei Aufruf werden alle bildbeeinflussenden Einstellungen zurückgesetzt. Einstellungen welche die Kommunikation mit anderen Geräten beeinflussen, wie Auflösung und Netzwerkeinstellungen, werden nicht zurückgesetzt.

Setup Assistenten Starten (Quick Setup Guide)

Der Setupassistent wird bei der ersten Inbetriebnahme automatisch gestartet und kann jederzeit im Menü manuell ausgeführt werden. Der Assistent führt Sie durch Grundeinstellungen wie Netzwerk, Sprache, Zeit/Datum und Audio.

HDMI OUT - Ausgang (#8)

Wahl des richtigen Ausgangs-Modi

Der HDMI Ausgang kann folgende Signalformate ausgeben:

- SVGA (4:3 - 800x600 Pixel) bei 60Hz
- XGA (4:3 - 1024x768 Pixel) bei 60Hz
- UXGA (4:3 - 1600x1200 Pixel) bei 60Hz
- SXGA (5:4 - 1280x1024 Pixel) bei 60Hz
- 720p (16:9 Widescreen HD - 1280x720 Pixel) bei 60Hz
- 1080p (16:9 Widescreen HD - 1920x1080 Pixel) bei 30Hz und 60Hz
- WXGA* (16:10 Widescreen - 1280x800 Pixel) bei 60Hz
- WUXGA (16:10 Widescreen - 1920x1200 Pixel) bei 60Hz

Ab Werk ist die "Auto Resolution" Funktion aktiviert. Hier prüft der Visualizer ständig, welche Geräte am HDMI Ausgang angeschlossen sind und wählt automatisch den am besten geeigneten Standard.

Bitte beachten Sie, dass der Visualizer die mögliche Auflösung nicht feststellen kann, wenn die angeschlossenen Geräte oder Kabel** nicht "Plug and Play" kompatibel sind. Wenn der Visualizer die mögliche Auflösung der angeschlossenen Geräte nicht feststellen kann, wird die Auflösung automatisch auf den Standard von XGA/60Hz gestellt. (**Plug and Play kompatible Kabel müssen DDC unterstützen).

Falls "Auto Resolution" nicht benutzt werden kann, kann die Auflösung im On-Screen Menü des Visualizers manuell auf den gewünschten Wert gestellt werden (siehe Seite 11).

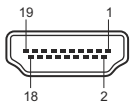
Um die bestmögliche Bildqualität zu erreichen, muss das beim Visualizer gewählte Signalformat mit der tatsächlichen Auflösung (native Resolution) Ihres Ausgabegerätes (z.B. LCD/DLP-Projektor oder Monitor) übereinstimmen.

Wichtig: Ausschlaggebend ist die tatsächliche Auflösung des Projektors oder Monitors, nicht die maximale Auflösung die dieser (im komprimierten Modus) darstellen kann. Die tatsächliche Auflösung ist die effektive Pixel-Anzahl des eingebauten LCD-Displays oder des DLP-Chips Ihres Projektors oder Monitors. Die meisten LCD- oder DLP-Projektoren können auch höhere Bildauflösungen, welche ihre tatsächliche Pixel-Anzahl überschreiten, darstellen - jedoch nur im komprimierten Modus mit weit schlechterer Bildqualität.

Stellen Sie den Visualizer nicht auf ein Signalformat ein, das höher ist als die tatsächliche Auflösung Ihres Projektors oder Monitors! Beachten Sie hierzu die Hinweise in der Bedienungsanleitung des angeschlossenen Gerätes.

Bitte beachten Sie: sollte das Bild-Seitenverhältnis nicht der tatsächlichen (nativen) Auflösung des Visualizers oder Wiedergabegerätes entsprechen, so werden schwarze Balken oben/unten beziehungsweise links/rechts dargestellt. Manche Wiedergabegeräte bieten die Möglichkeit das Bild zu vergrößern um die schwarzen Balken zu minimieren. Beachten Sie hierzu die Hinweise in der Bedienungsanleitung des angeschlossenen Gerätes.

HDMI Anschluss OUT (#8) und HDMI Anschluss IN (#10)



19-Pol HDMI
Buchse am Gerät
(Ansicht von vorne)

1 - T.M.D.S. Data2+	8 - T.M.D.S. Data0 Shield	15 - SCL (I ² C Serial Data Line for DDC)
2 - T.M.D.S. Data2 Shield	9 - T.M.D.S. Data0-	16 - SDA (I ² C Data Line for DDC)
3 - T.M.D.S. Data2-	10 - T.M.D.S. Clock+	17 - DDC Ground
4 - T.M.D.S. Data1+	11 - T.M.D.S. Clock Shield	18 - DC+5V (max. 50mA)
5 - T.M.D.S. Data1 Shield	12 - T.M.D.S. Clock	19 - Hot Plug detect
6 - T.M.D.S. Data1-	13 - Reserved	
7 - T.M.D.S. Data0+	14 - ARC (Audio Return)	

CEC (Consumer Electronic Control), ARC (Audio Return Channel) und HEC (HDMI Ethernet Channel) werden nicht unterstützt. DC+5V stehen im Vollbetrieb zur Verfügung.

HDMI Verschlüsselung - HDCP

Die Verschlüsselung HDCP (High-bandwidth Digital Content Protection) wird nicht unterstützt. Verschlüsselte Signale am HDMI IN werden vom Visualizer als schwarzes Bild ausgegeben.

Die proprietäre HDCP-Verschlüsselungsmethode wird unter anderem für Hi-Definition Hollywood Filme und Pay-per-View Übertragungen verwendet. Durch HDCP erfolgt keine Beeinflussung von unverschlüsselten Signalen. Das Umgehen der Sicherheitssysteme ist nicht erlaubt.

Copyrightinhaber ist Digital Millennium Copyright Act (DMCA).

USB Anschluss für Speichermedium (Host) (#7)

Der USB Anschluss kann als externer Speicher zur Darstellung von Bildern und Videos benutzt werden. Schließen Sie einen USB Stick mit den gewünschten Daten an und starten den USB Modus (*siehe Seite 9*). Zusätzlich können Firmwareupdates durchgeführt werden (*siehe Seite 15*).
Hinweis: max. Stromverbrauch beträgt 500mA.

Speichern der Visualizer-Einstellungen auf einem USB-Stick

Der Visualizer bietet die Möglichkeit aktuelle Menü- inklusive Preseteinstellungen auf einem USB-Stick als XML-Datei abzuspeichern. Ändern Sie die gewünschten Einstellungen und speichern Sie diese auf dem USB-Stick (im On-Screen Menü, Erweiterte Einstellungen / USB Stick). Wird ein USB-Stick mit einer geeigneten XML-Datei angesteckt, erscheint eine entsprechende Pop-Up Meldung auf dem Bildschirm. *Das Verhalten des Visualizers kann im On-Screen Menü geändert werden (siehe Seite 11).* Sobald der USB-Stick wieder entfernt wird, werden die vorherigen Einstellungen wieder hergestellt.

USB Anschluss zum Computer (Client) (#9)

Der USB Computeranschluss kann für direkte Verbindungen zwischen dem Visualizer und einem Computer verwendet werden.

UVC Treiber (Universal Video Class, Version 1.0)

Der Visualizer ist UVC (Universal Video Class) kompatibel und kann als Webcam verwendet werden. Es wird kein zusätzlicher Treiber benötigt (abhängig vom benutzten Computer-Betriebssystem).

Video Capture Treiber (eigenständig und Teil von vSolution Link)

Der Treiber ist WIA (Windows Image Acquisition) kompatibel und kann mit Grafikanwendungen wie z.B. Adobe Photoshop® und Interaktiven Whiteboards verwendet werden.

Bitte downloaden Sie die aktuellste Version des Video Capture Treibers von: www.wolfvision.com (Support) **vSolution Link** by WolfVision

Mit der Software vSolution Link kann der Visualizer gesteuert und als Scanner für 3-dimensionale Objekte verwendet werden. Bilder im JPG-, TIFF- oder BMP-Format können in Bruchteilen einer Sekunde aufgenommen werden. Zudem können Videos aufgezeichnet und der Visualizer administriert werden.

Gespeicherte Bilder beinhalten EXIF Daten (nur mit Bildformat JPG oder TIFF). Verfügbare Daten:

Hersteller = WolfVision

Visualizer Modell (inklusive Seriennummer) = z.B. VZ-3neo (01061472)

Firmware version = e.g. V1.42b

Datum und Zeit der Erstellung = z.B. 2016-12-17 11:06:29 (yyyy-mm-dd hh:mm:ss)

Bitte downloaden Sie die aktuellste Version der vSolution Link von: www.wolfvision.com (Support).

Power over Ethernet plus (PoE+)

Der LAN Anschluss (#12) des Visualizers verfügt über Power over Ethernet (PoE+) Funktionalität. Power over Ethernet ist eine populäre Methode, um Kabel- und Installationskosten zu sparen. Dieser Visualizer ist kompatibel mit PoE+ Power Injectors und PoE+ Switches gemäß Industriestandard IEEE 802.3at -2009.

Der benutzte PoE+ Adapter muss dem Industriestandard IEEE 802.3at -2009 entsprechen. Adapter nach anderem Standard sind möglicherweise nicht kompatibel und können den Visualizer zerstören!

Dieser Visualizer entspricht der Leistungsklasse 4 (Klassifizierung 12,95 bis 25,50W).

Weitere Informationen über PoE+ Adapter unter: www.wolfvision.com (Produkte / Zubehör)

Ethernet / LAN Anschluss (#12)

10Base-T/100Base-TX

Der LAN Anschluss ermöglicht die Integration des Visualizers in ein internes Computernetzwerk. Für die Kommunikation über das Internet wird eine offizielle (WAN) IP-Adresse benötigt.

Administratoren einer größeren Anzahl von Visualizern schätzen besonders die Möglichkeit, über den LAN-Anschluss alle Visualizer in ihrem Netzwerk von einem Desktop PC in ihrem Büro aus zu warten.

Die Liste der Anwendungsmöglichkeiten des LAN-Anschlusses wächst ständig: Steuerung, Übertragung /Speicherung von Standbildern und Video Streams, Firmware Updates, Menü Einstellungen, Wartung etc. (manche Funktionen werden nur mittels vSolution Link unterstützt).

Folgende Protokolle werden unterstützt: TCP/IP, IGMP, UDP und ARP.

Unterstützte (getestete) Internet Browser: Windows Internet Explorer, Firefox, Chrome und Safari.

Standardmäßig ist DHCP aktiviert um die Netzwerkeinstellungen automatisch zu beziehen.

Mögliche max. Auflösung der übertragenen Bilder: bis zu FullHD (1080p) mit WolfVision's vSolution Link.

Detaillierte Informationen finden Sie in der Online-Beschreibung "How To Connect the Visualizer to a Network".

Tipps:

Im TCP Singlecast Modus baut jeder Computer einzeln eine Verbindung mit dem Visualizer auf. Wenn viele Computer verbunden sind, benötigt dies jedoch eine hohe Bandbreite (max. 128 Verbindungen). Audio wird nicht unterstützt.

Für vollen Funktionsumfang des Webinterfaces wird ein HTML5 kompatibler Browser benötigt.

Die verwendeten IP-Adressen und Ports dürfen nicht durch eine Firewall blockiert sein.

(Ports: tcp 80, tcp 50915, tcp 50921, udp 123, udp 50000, udp 50913 und udp 50914).

Raumsteuerungssysteme

Der LAN Anschluss (#12) und USB Anschluss (#9) kann zur Steuerung des Visualizers über externe Systeme, wie Raumsteuerungssysteme von Konferenzräumen, benutzt werden.

Das komplette Protokoll finden Sie auf der WolfVision Homepage unter: www.wolfvision.com (Support)

Verbinden des Visualizers mit einem Netzwerk

Detaillierte Informationen in der separaten Beschreibung "How To Connect the Visualizer to a Network".

Bei Verbindung mit einem Netzwerk mit DHCP-Server bezieht der Visualizer alle Einstellungen wie IP-Adresse automatisch.

Sollte kein DHCP-Server verfügbar sein, so müssen die Einstellungen wie IP-Adresse, Subnet Mask, Gateway und Name-Server manuell auf gültige Einträge gesetzt werden.

Sicherheit

Die Netzwerkfunktionen können eingeschränkt und mit einem Passwort geschützt werden.

Im On-Screen Menü unter Erweiterte Einstellungen / Netzwerkeinstellungen / Zugriffsrechte kann nach Eingabe des gültigen Admin Passwortes die Funktionalität limitiert werden. Zudem kann dann auch das Admin Passwort geändert werden.

Notieren Sie das geänderte Passwort! Nur WolfVision kann ein vergessenes Passwort zurücksetzen!

Das Standard Passwort lautet „Password“ für Admin und Gast.

FTP Client

Der Visualizer kann als FTP-Client agieren zum Teilen (sharen) von Screenshots.

Netzwerkverbindung (LAN oder WLAN) herstellen und im On-Screen Menü unter Erweiterte Einstellungen / Netzwerkeinstellungen / FTP Einstellungen die erforderlichen Einstellungen wie IP Adresse des Servers, Benutzername und Passwort. Die Einstellung „Intervall“ definiert die Zeitabstände der automatischen Übertragung des aktuellen Bildinhaltes auf den FTP Server.

WARTUNG

Reinigung

WICHTIG

- Gehäuse:** Staub und Schmutz mit einem weichen Tuch abwischen.
Linse: Staub und Schmutz mit einem weichen, fusselfreien Tuch abwischen (keine Papiertücher!). Normalerweise reicht eine Trockenreinigung (gegebenenfalls zusammen mit Anhauchen oder mit einem speziellen Optikreiniger).

ACHTUNG:

**Keine aggressiven Reinigungsmittel wie Aceton, Benzin oder Ähnliches verwenden!
Diese Substanzen können die (Anti-Reflex-) Beschichtung beschädigen!**

Firmware Updates

Die Firmware (Geräte-Software) Ihres Visualizers (inklusive On-Screen Hilfe-Texte) kann einfach auf die aktuellste Version aktualisiert werden (über USB, LAN, USB-Stick).

Firmwareupdates können gratis unter www.wolfvision.com (Support) herunter geladen werden.

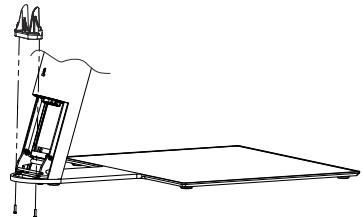
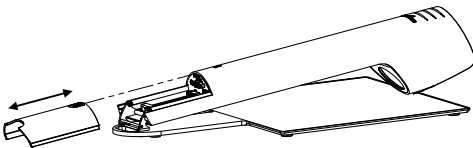
Für ein Update über USB / LAN benötigen Sie die Software vSolution Link by WolfVision.

Updates via USB-Stick erfordern die Firmwaredatei im Verzeichnis *Laufwerksbuchstabe:\WOLFVISION* (Standardverzeichnis kann im On-Screen Menü, Erweiterte Einstellungen / USB Stick, geändert werden). Alternativ kann die Firmware auch im On-Screen Menü (Erweiterte Einstellungen / Geräte Info) aktualisiert werden - Internetverbindung und zugewiesene Name Server IP-Adresse vorausgesetzt.

Wählen Sie die Zeile „Prüfe FW“ und der Visualizer prüft den WolfVision Server auf neuere Firmwaredateien. Folgen Sie den Anweisungen am Bildschirm um den Updateprozess zu starten.

Kabelführung - Kabel auf der Tischoberseite

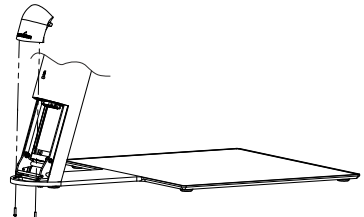
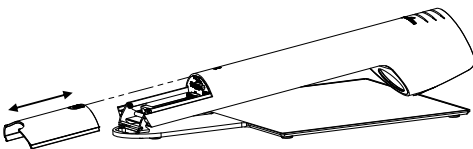
Wenn die Kabel auf der Tischoberseite platziert sind, sollte die Kabelführung montiert werden. Gerät nach unten klappen und die Kabelabdeckung entfernen (alle nötigen Kabel müssen angeschlossen sein). Kabelführung mit den beiden mitgelieferten Schrauben K25x10 (Torx8) montieren.



Kabelsichtschutz - Kabel durch die Tischplatte geführt

Wenn die Kabel durch die Tischdurchgangsbohrung geführt werden kann der Sichtschutz montiert werden. Gerät nach unten klappen und die Kabelabdeckung entfernen (alle nötigen Kabel müssen angeschlossen sein). Kabelsichtschutz mit den beiden mitgelieferten Schrauben K22x10 (Torx 6) montieren.

Der Visualizer sollte am Tisch fixiert sein um eine mechanische Belastung der Kabel zu vermeiden.

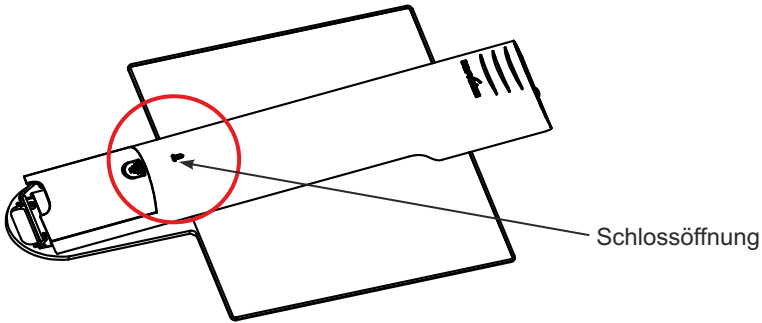


Technische Änderungen vorbehalten!

Diebstahlschutz

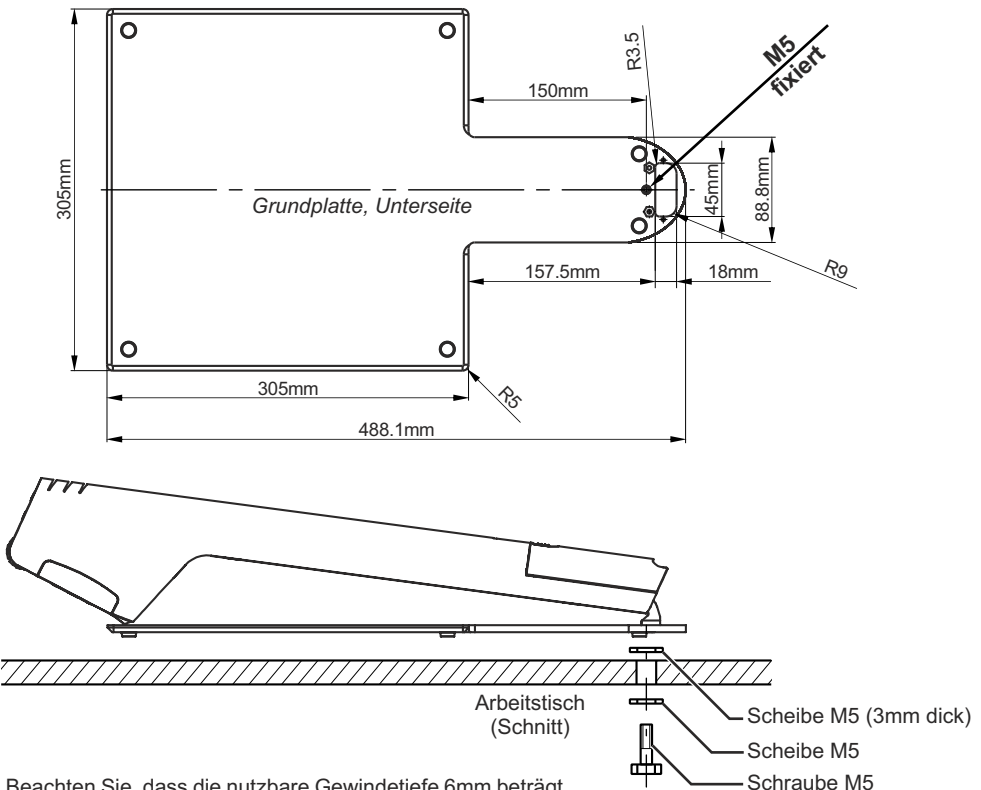
T-Lock (Kensington® Lock)

Der Visualizer kann mit einem Kabel T-Lock (Kensington® Lock) vor Diebstahl geschützt werden. Folgen Sie den Anweisungen des Schloss-Herstellers.



Visualizer Tisch Fixiereinheit

Der Visualizer kann mit einer M5-Schraube an einem Tisch festgeschraubt werden.

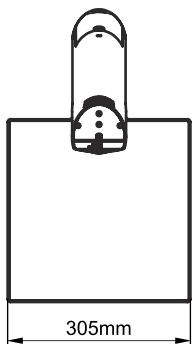
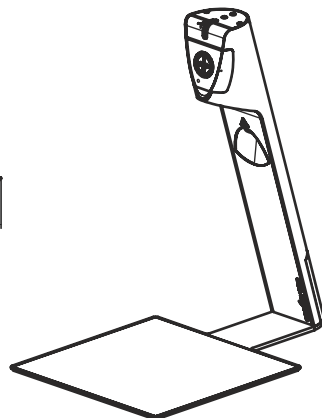
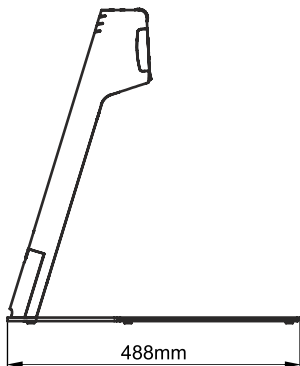
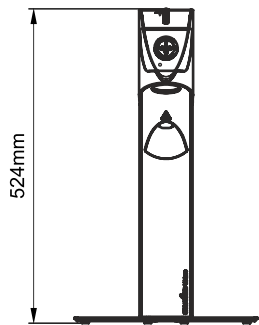


Beachten Sie, dass die nutzbare Gewindetiefe 6mm beträgt
- Schraube nicht weiter eindrehen!

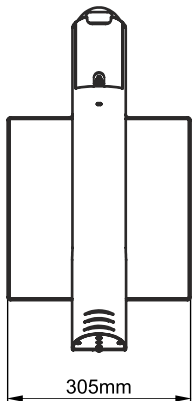
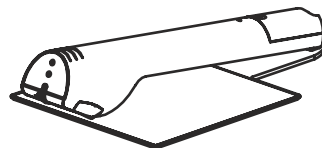
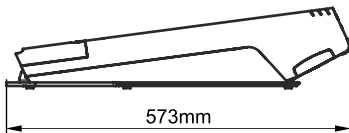
Technische Änderungen vorbehalten!

Abmessungen

Arbeitsposition:



gefaltet:



Technische Änderungen vorbehalten!

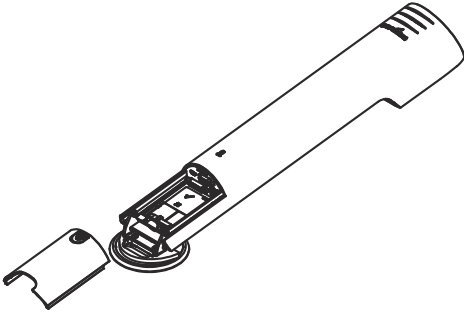
SWIVEL Platte

Je nach Modell ist die Swivelplatte Teil des gelieferten Zubehörs. Die Swivelplatte wird statt der Grundplatte montiert und die weiße Arbeitsfläche entfällt.

Mit der Swivelplatte muss der Visualizer am Tisch fixiert werden und je nach Montageart, kann der Visualizer um 90° gedreht werden. Zusätzlich wird das Risiko eines Diebstahls minimiert.

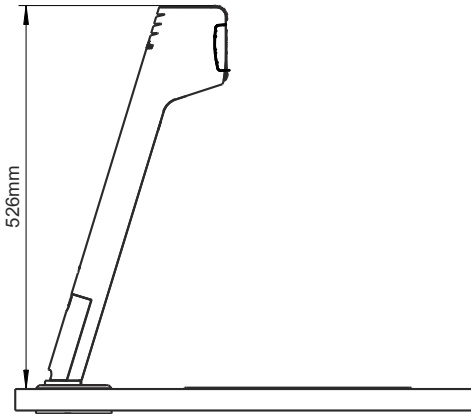
Die Swivelplatte ist auch als separates Zubehör erhältlich.

Für weitere Informationen kontaktieren Sie bitte Ihren Händler oder WolfVision: www.wolfvision.com

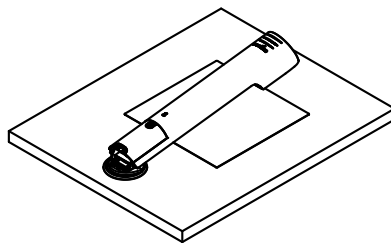
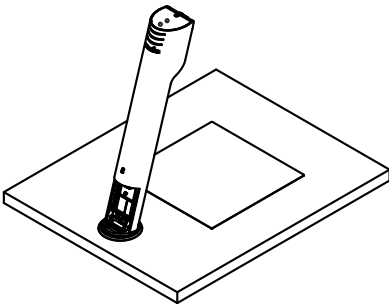
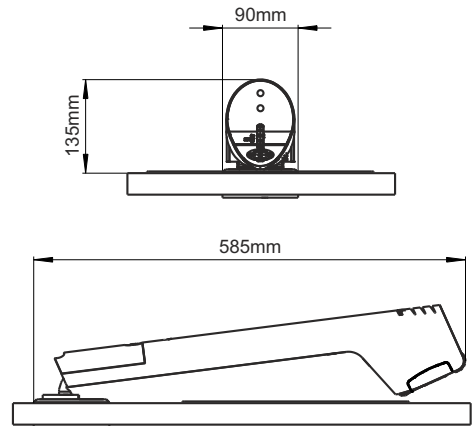


Abmessungen (vollständige Maßzeichnung verfügbar unter: www.wolfvision.com)

Arbeitsposition:



gefaltet:



Technische Änderungen vorbehalten!

MONTAGE - nur für ausgebildetes Fachpersonal



Der Visualizer wird am Tisch festgeschraubt.
Exakte Markierung der gewünschten Visualizerposition sind entscheidend!
Montagehilfsmittel gewissenhaft einsetzen!



Die Arbeitsplattenfolie hat eine sehr hohe Klebekraft (Rückseite)!
Tischoberfläche vor der Montage auf Eignung prüfen.
Klebefläche muss für eine sichere Verbindung Staub- und Fettfrei sein.



Benutzeranweisungen der Montagehilfsmittel und Werkzeuge beachten.
Unsachgemäße Verwendung kann Verletzungen nach sich ziehen!

Vorbereitung

Durch die verschiedenen Montagemöglichkeiten der Swivel-Platte (Drehteller) muss vor Beginn der Arbeiten die gewünschte Art gewählt werden:

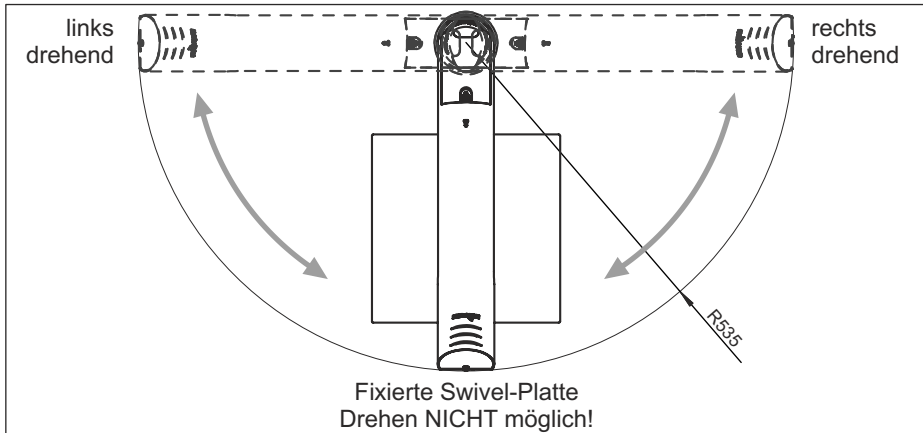
- 1.) drehbar (links drehend / rechts drehend)
- 2.) nicht drehbar (fix)

Nötigen Platzbedarf berücksichtigen.

Tischplattenstärke muss zwischen 11mm bis 35mm betragen (mit mitgelieferten Schrauben).

Beachte: bei dünnen Tischplatten steht die Schraubenspitze vor.

Nötiger Radius um das Gerät zu drehen (Gerät nach unten geklappt)



Werkzeug und Montagehilfsmittel

Das benötigte Werkzeug hängt von der Montageart ab, die Liste zeigt das maximal nötige Werkzeug:
Stechahle, Lochsäge $\varnothing 69\text{mm} \sim 80\text{mm}$, Schraubendreher Torx Größe 6, 10 und 20

Zum Anzeichnen der Position einen Bleistift verwenden.

Typ: für eine einfache Reinigung Papierklebeband am Tisch anbringen und darauf skizzieren.

Markieren der Position auf der Tischplatte

Legen Sie die gewünschte Position des Visualizer's und dessen Aufnahmebereiches mittels der großen Schablone fest und markieren dann die Zentrumslinie und die obere Linie des maximalen 4:3 Aufnahmebereiches. Anschließend bohren Sie das Loch in die Tischplatte.

Beachte: die Schablone zeigt die linke Hälfte von Gerät und Aufnahmebereich, die rechte Seite ist identisch.

Montage mit Tischbohrung

Swivel-Platte und die gegenüberliegende Montageplatte (Schraubenbolzen nach oben zeigend) mit den Schrauben M4x40mm Torx20 in der Bohrung montieren. Die Kabeldurchgangsöffnungen müssen übereinander liegen.

Drehen Sie beide langen Schrauben ein - **noch nicht festziehen**.

Drehen Sie die Basisplatte (oberes Kreissegment der Swivel-Platte) damit die zweite Schraubenöffnung zugänglich wird.

Drehen Sie die Basisplatte bis zum mechanischen Endanschlag.

Linksdrehend: Basisplatte gegen den Uhrzeigersinn drehen.

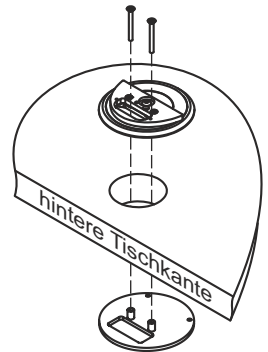
Rechtsdrehend: Basisplatte im Uhrzeigersinn drehen.

Fixierte Swivel-Platte: Basisplatte gegen den Uhrzeigersinn drehen.

Nun mittels der kleinen Schablone, analog der gewünschten Montageart, die Swivel-Platte ausrichten: fix oder drehbar (turnable).

Die Schablone mit der Ausnehmung auf die Basisplatte legen und samt der **kompletten Swivel-Einheit** verschieben bis das untere Ende und die Zentrumslinie der Schablone mit den Markierungen auf dem Tisch übereinstimmen.

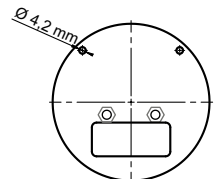
Zugängliche Schraube festziehen, Basisplatte drehen und die zweite Schraube festziehen (Schablone entfernen).



Optional: Sicherung der Montageplatte

Die Montageplatte (Tischunterseite) kann mit zwei Schrauben an der Tischplatte gesichert werden, benutzen Sie dazu die beiden Bohrungen Ø 4,2mm.

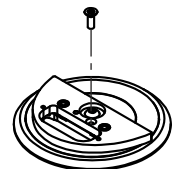
Verwenden Sie Schrauben entsprechend der Beschaffenheit der Tischplatte (Schrauben sind nicht inkludiert).



Optional: Fixieren der Basisplatte um eine Drehbewegung zu verhindern

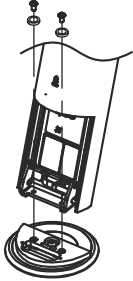
Drehen Sie die Basisplatte in Arbeitsposition (Kabeldurchgangsöffnungen übereinander liegend). Schraube M3x8 einsetzen und festziehen um den Drehmechanismus zu blockieren.

Der Visualizer kann nun **nicht** mehr gedreht werden.



Montieren des Visualizers auf der Swivelplatte

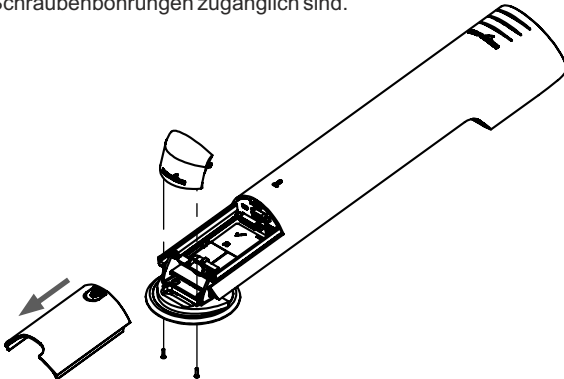
Visualizer auf der Swivel-Platte mit beiden Schrauben M4x8 (Torx 20) samt Unterlegscheiben montieren. Eventuell muss die Kabelabdeckung zuvor entfernt werden.



Alle nötigen Kabel anschließen und mit dem Kabelbinder fixieren. Gerät nach unten klappen um die hintere Abdeckung einschieben zu können. Die Kabel können durch die Tischbohrung verlegt werden oder nach hinten weggehend an der Tischplattenoberseite.

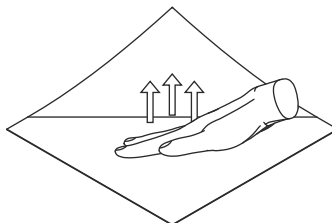
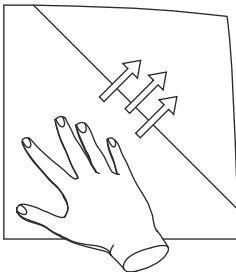
Optional: Kabelsichtschutz montieren (Kabelführung durch die Tischplatte)

Wenn die Kabel durch die Tischdurchgangsbohrung geführt werden kann der Sichtschutz montiert werden. Gerät nach unten klappen und die Kabelabdeckung entfernen (alle nötigen Kabel müssen angeschlossen sein). Kabelsichtschutz mit den beiden mitgelieferten Schrauben K22x8 (Torx 6) montieren. Kabelabdeckung wieder einschieben. Wenn nötig drehen Sie den Visualizer bis beide Schraubenbohrungen zugänglich sind.



Optional: Arbeitsplattenfolie aufkleben

Bildwiedergabegerät und Netzteil anschließen, Arm hochklappen um den Visualizer einzuschalten. Reinigen Sie die Klebefläche für eine korrekte Klebeverbindung. Mit dem Zoomrad bis zum Endanschlag rauszoomen (Wide) und nun am Bildwiedergabegerät die Position für die optionale Arbeitsplattenfolie ermitteln. Schutzfolie von der Rückseite der optionalen Arbeitsplattenfolie abziehen, an der zuvor ermittelten Position auf den Tisch kleben (an einer Seite starten und zur anderen Seite streichen und andrücken).



Technische Daten

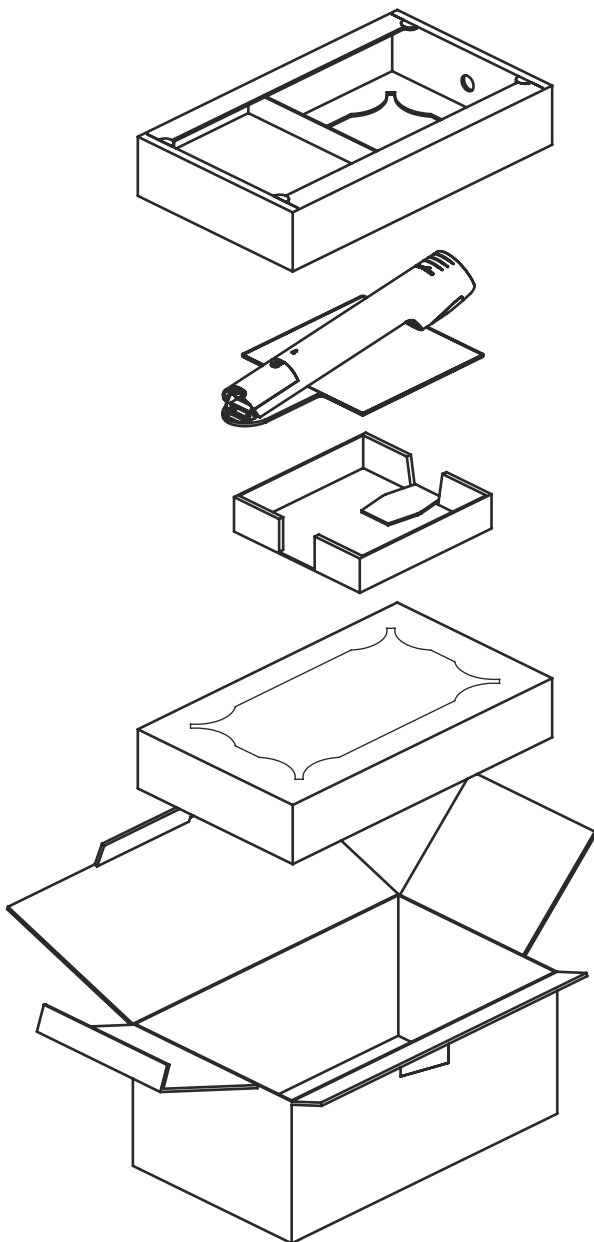
Kamera / Technologie (Signal Format)	CMOS 1/3" Progressive Scan
Bilder pro Sekunde (Kameraaufnahme)	30 Bilder pro Sekunde (in allen Auflösungen)
Native (effektive) Pixel des Kamerasensors	1920x1080 (=2.073.600), Verhältnis 16:9
Native (effektive) Pixel in der Bildbearbeitung	1920x1080 (=2.073.600), Verhältnis 16:9
Verarbeitete Pixel pro Sekunde (=effektive Pixel x Bilder pro Sekunde)	62.208.000, Verhältnis 16:9
Farbwiedergabe / Farbpräzision	sehr gute Farben / sRGB Farbpräzision
Ausgangssignal 4:3 und 5:4	SVGA (800x600), XGA (1024x768), SXGA (1280x1024), UXGA (1600x1200)
Ausgangssignal 16:9 und 16:10 (nativ 1080p)	720p HD (1280x720), WXGA* (1280x800), 1080p HD (1920x1080), WUXGA (1920x1200)
WolfVision Bildbearbeitungsprozessor "YSOP1"	ja
Auflösung (gemessen)	980 Linien
Helligkeitssteuerung / Exposure	automatisch und manuell
Weißabgleich	automatisch und manuell
Autofokus (Geschwindigkeit) / Manueller Fokus	ja (ständig arbeitend, sehr hohe Geschwindigkeit) / ja
On-Screen Menü und On-Screen Hilfe	ja
Firmware Updates	ja, via USB, Ethernet/LAN und USB Stick
Objektiv / Zoom	12x Zoom (6x optisch + 2x digital), Zoomrad mit variabler Geschwindigkeit
Linse	Weitwinkel, f = 4,7 - 28mm
Max. Objekthöhe auf der Arbeitsfläche	200mm in Tele Position 320mm in Wide Position
Max. Abtastbereich auf der Arbeitsfläche	Höhe: 290mm / Breite: 400mm im 4:3 Modus
Min. Abtastbereich auf der Arbeitsfläche	66 x 50mm (4:3 Modus)
Min. Abtastbereich auf der Arbeitsfläche mit Digitalzoom	33 x 23mm (4:3 Modus)
Tiefenschärfe kleiner Objekte (66 x 36 mm)	15mm
Tiefenschärfe großer Objekte (360 x 200 mm)	260mm
Blenden von Publikum oder Vortragenden	nein
Lichtquelle	Wartungsfreies Hochleistung LED System (Lampenlebensdauer: 30.000 Std)
Software (USB und LAN) Steuerung, Bild- und Videospeicherung und Firmware Updates	vSolution Link by WolfVision, inkludiert (für 32- und 64-bit Windows und Macintosh)
UVC kompatibel	ja
vSolution Cynap kompatibel	ja
Reflexionsfreier Bereich auf der Arbeitsfläche	gesamte Arbeitsfläche
Intelligentes Faltsystem	ja
Anwenderprogrammierbarer Preset	ja
Swivel Platte, 90° drehbar	abhängig vom gekauften Modell: Standard oder Optional
Spezielle Arbeitsfläche für Overheadfolien	ja (Arbeitsfläche mit der Swiveloption nicht inkludiert)
Dry-erase Arbeitsfläche (wiederbeschreibbar)	optional
Dia-Aufnahme / Unterlicht	optional LB9
Bildmischer mit Überblendung	optional
Digital Scaler (eingebaut)	ja
Alternative Bildanzeige	Negativ Bild / Negativ-Blau Bild / Schwarz/Weiß Bild
HDMI Ausgang / DVI und DisplayPort Ausgang	ja, inklusive Audiounterstützung / ja, mit optionalem Adapter
Externer Eingang für Computer / umschaltbar	1 HDMI inklusive Audio (DVI) oder DisplayPort mit optionalem Adapter)
USB Standard / Anschluss	1x USB 2.0 Device (inkl. UVC) und 1x USB 2.0 Host
Ethernet (LAN) LAN Anschluss	ja, IP-adressierbar, 10/100 Mbps
WLAN (WiFi)	optionaler n-draft USB-Dongle (Dualband 2,4GHz und 5GHz)
RS232 Anschluss	mit optionalem RS232 > LAN Adapter
Web Oberfläche (Web-Interface)	ja (IP-adressiert)
Erweiterte Steuerung mit prof. Protokoll	USB und LAN (WLAN)
Abmessungen in Arbeitsposition (L x B x H)	488mm x 305mm x 525mm
Abmessungen in gefaltet (L x B x H)	574mm x 305mm x 135mm
Gewicht	3,76kg
Stromversorgung	12VDC / PoE+
Eingangsspannung (externes Netzteil)	Multirange 100 - 240 VAC (24W LPS), Gewicht 0,3kg
Leistungsaufnahme	max. 25,5W (inkl. USB Erweiterung)
Betriebstemperatur / relative Luftfeuchtigkeit	0°C - 40°C / 40 - 60%rel
Diebstahlschutz	ja, T-Lock (Kensington Lock®) und Tisch-Fixiereinheit
Garantie	5 Jahre
Hergestellt in	Austria (Europäische Union)

Bitte beachten: Aufgrund von laufenden technischen Verbesserungen können sich die technischen Daten ändern!

Verpackung / Transport

Bitte vergewissern Sie sich vor dem Transport des Visualizers, dass dieser wie unten abgebildet verpackt wurde. Dies ist sehr wichtig um eine Beschädigung empfindlicher Teile durch den Transport zu verhindern!

Das Zubehör findet in der Kartonbox der oberen Lage Platz.

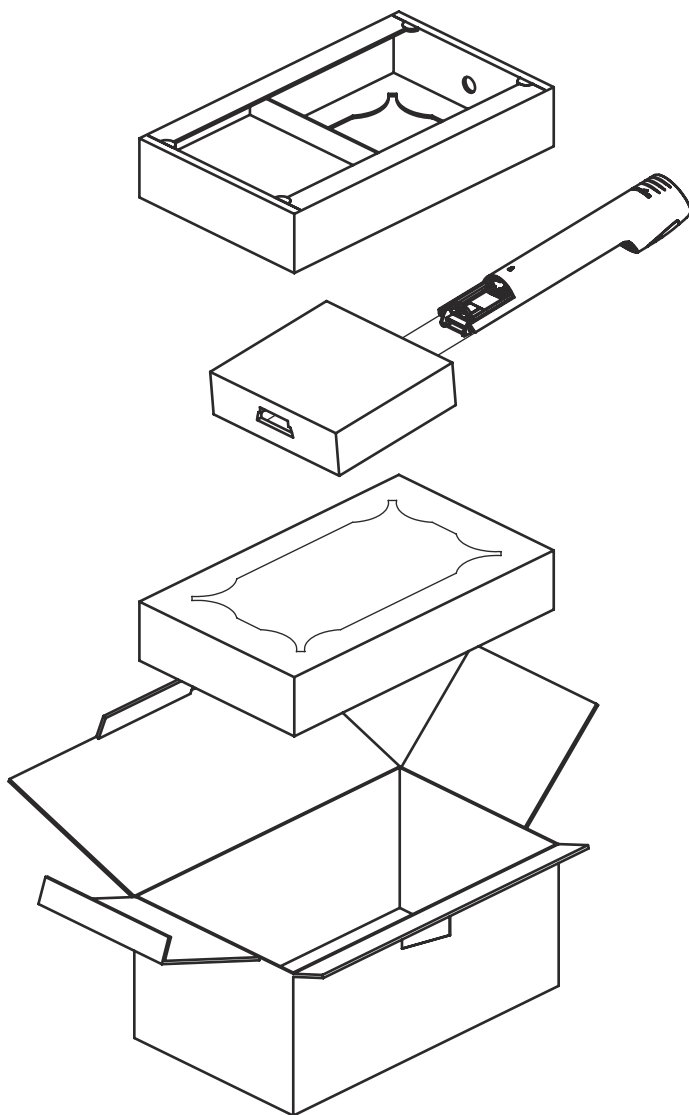


Verpackung / Transport mit Swivel

WICHTIG

Bitte vergewissern Sie sich vor dem Transport des Visualizers, dass dieser wie unten abgebildet verpackt wurde. Dies ist sehr wichtig um eine Beschädigung empfindlicher Teile durch den Transport zu verhindern!

Das Zubehör findet in der Kartonbox der oberen Lage Platz.



CODES - Tastenkombinationen

One Push Weißabgleich:

Drücken Sie die **LIGHT** Taste (#15) für 2 Sekunden, um einen One-Push-Weißabgleich durchzuführen.

Aktivieren des On-Screen Menüs:

Drücken Sie die **MENU** Taste (#21) um das On-Screen Menü zu aktivieren. Verwenden Sie die Navigationstasten (**SOURCE** #16, **FREEZE** #18, **PRESET** #17 und **AF** #20) zum Navigieren und die **MENU / OK** key (#21) zur Bestätigung. Für die Hilfefunktion halten Sie die **MENU / ?** Taste (#21) gedrückt.

Aktivieren des On-Screen Extra Menüs:

Halten Sie die **MENU** Taste (#21) gedrückt bis das Extra Menü dargestellt wird.

Zurücksetzen des Ausgangsmodus auf "XGA bei 60Hz":

Halten Sie die **POWER** Taste (#14) für mehr als 4 Sekunden gedrückt.

Preset 1 speichern:

Halten Sie die **PRESET** Taste (#17) am Kamerakopf für 2 Sekunden gedrückt.

Aufrufen des Preset 1:

Drücken Sie die **PRESET** Taste (#17) am Kamerakopf kurz.

Manueller Fokus:

Halten Sie die **AF** Taste für 2 Sekunden gedrückt. Fokussieren Sie mit den Navigationstasten auf/ab (**SOURCE** #16 / **FREEZE** #18). Drücken Sie die **AF** Taste erneut um den manuellen Fokus Modi zu beenden.

CONTACTS

Manufacturer / Worldwide Distribution

WolfVision GmbH

A-6833 Klaus Tel: +43(5523)-52250, Fax: +43(5523)-52249
AUSTRIA E-Mail: wolfvision@wolfvision.com

International Distribution Offices

USA

WolfVision Inc.

Duluth Tel: +1(770)931-6802, Toll free: 877-873-WOLF, Fax: +1(770)931-6906
(Atlanta) E-Mail: sales@wolfvision.us / support@wolfvision.us

Asia

WolfVision Pte Ltd

Singapore Tel: +65-6636-1268, Fax: +65-6636-1269
E-mail: wolfvision.asia@wolfvision.net

Middle East

WolfVision Middle East

Dubai Tel: +971 (04) 354 2233, Fax: +971 (04) 354 2244
E-Mail: middle.east@wolfvision.net

Germany

WolfVision Germany

Tel: 0800 / 98 28 787 (Toll Free for Germany)
E-mail: wolfvision.deutschland@wolfvision.com

Japan

WolfVision Co. Ltd.

Tokyo Tel: +81(0)3-6233-9465, Fax: +81(0)3-6233-9466
E-mail: wolfvision.japan@wolfvision.com

Canada

WolfVision Canada, Inc.

Ottawa Tel: +1(613)741-9898, Toll free: 877-513-2002, Fax: +1(613)741-3747
E-Mail: wolfvision.canada@wolfvision.com

United Kingdom

WolfVision UK Ltd.

M Maidenhead Tel: +44 1628 509067, Fax: +44 1628 509100
E-Mail: wolfvision.uk@wolfvision.com

Internet Homepage: www.wolfvision.com
E-Mail to technical support: support@wolfvision.com