



## CPB-1 Control Port Connecting Block

The CPB-1 Control Port Connecting Block provides a cost effective solution for one-room installations such as classrooms or boardrooms, that require an in-wall controller and both infrared and RS-232 control of local devices. The CPB-1 is the perfect accessory to any RTI in-wall controller to offer an advanced level of control over many of today's electronic devices without the additional cost of an RTI control processor.

### Key Features

- Provides power for one RTI in-wall system controller.
- Two infrared emitter outputs.
- Variable IR output power.
- Allows RTI in-wall controllers to communicate via one-way RS232 to devices without a processor.
- Steel construction.
- 12VDC power supply included.

### Description

The CPB-1 provides power to one RTI in-wall system controller and has two output ports that allow the connection of up to two single or dual infrared emitters. It also incorporates an RS-232 port for advanced serial control of devices without the need of an RTI processor. The CPB-1 also includes a RJ-45 to DB-9 adapter, allowing simple connection to almost any serial control device. Incorporating a durable steel enclosure, the CPB-1 is the ideal solution for taking any RTI in-wall controller to the next level of control capabilities.

Call 952-253-3100

[www.rticorp.com](http://www.rticorp.com)



## Specifications

Power Supply ..... +12VDC, 1.0A

Number of IR Output Ports ..... Two

Output Ports ..... 3.5mm jacks  
..... Works with industry-standard IR emitters.

IR Output Drive ..... 100mA maximum (per port, adjustable)

Infrared Input ..... Compatible with industry-standard repeaters and receivers

RS-232 Port ..... RJ45 Connection  
..... Includes RJ45 to DB9 adapter

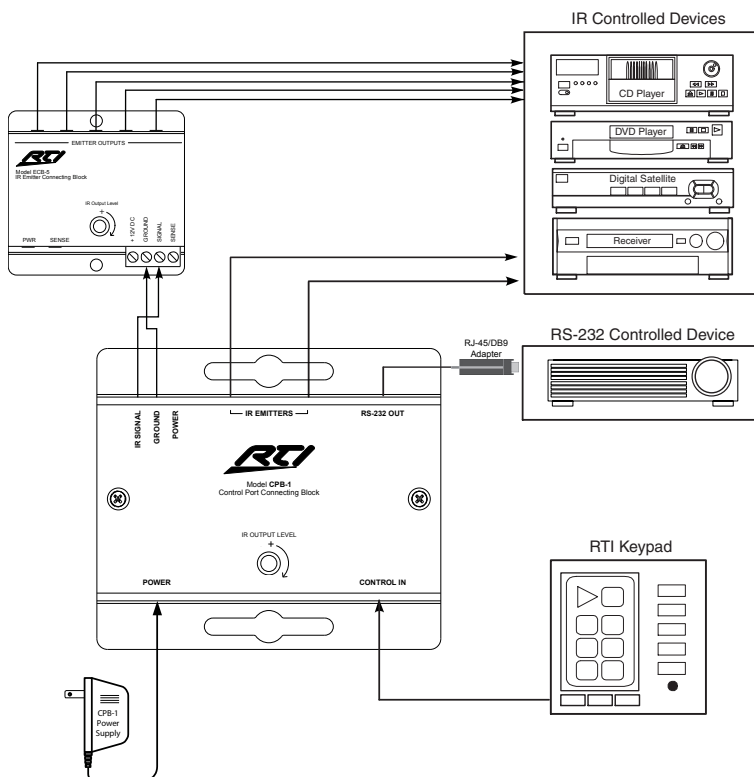
Mounting ..... Wall-mount or free standing

Dimensions (W x H x D) ..... 4.0" (102mm) x .35" (89mm) x 1.1" (28mm)

Weight ..... 8.4 oz. (238g)

Warranty ..... One Year (Parts & Labor)

## Installation Diagram



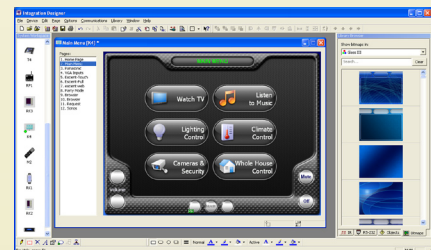
## In-wall Controllers / Accessories

<b>RKM-1</b>	<b>In-Wall Multi-Room Audio Keypad</b>
<b>RK1</b>	<b>In-Wall Keypad Controller</b>
<b>RK2</b>	<b>In-Wall Touchscreen Controller</b>
<b>RK3-V</b>	<b>In-Wall Touchscreen Controller</b>
<b>K4</b>	<b>In-Wall Touchscreen Controller</b>
<b>CB-8</b>	<b>Touchpanel Connecting Block</b>
<b>ECB-5</b>	<b>IR Emmitter Connecting Block</b>
<b>vIRsa Mouse</b>	<b>IR Emitter</b>



## Other RTI Products

<b>T1-B</b>	<b>Universal System Controller</b>
<b>M2</b>	<b>Universal System Controller</b>
<b>T2-B</b>	<b>Universal System Controller</b>
<b>T2-Cs</b>	<b>Universal System Controller</b>
<b>T2-C</b>	<b>Universal System Controller</b>
<b>T3-V</b>	<b>Universal System Controller</b>
<b>T4</b>	<b>Universal System Controller</b>
<b>U1</b>	<b>Weather Resistant Controller</b>
<b>U2</b>	<b>Weather Resistant Controller</b>
<b>RP-1</b>	<b>Remote Control Processor</b>
<b>ZRP-5</b>	<b>Remote Control Processor</b>
<b>ZRP-6</b>	<b>Remote Control Processor</b>
<b>MRP-64</b>	<b>Multi-Room Control Processor</b>
<b>XP-8</b>	<b>Advanced Control Processor</b>
<b>RM-433</b>	<b>433MHz RF Receiver</b>
<b>ZM-24</b>	<b>2.4GHz Zigbee® Transceiver Module</b>
<b>RCM-12</b>	<b>Relay Control Module</b>
<b>PCM-8</b>	<b>Port Control Module</b>
<b>ECB-5</b>	<b>IR Emmitter Connecting Block</b>
<b>CM-232</b>	<b>RS-232 Communication Module</b>
<b>VPS-1</b>	<b>Voltage Power Sensor</b>
<b>SPS-1</b>	<b>Video Sync Power Sensor</b>



Integration Designer™ Programming Software